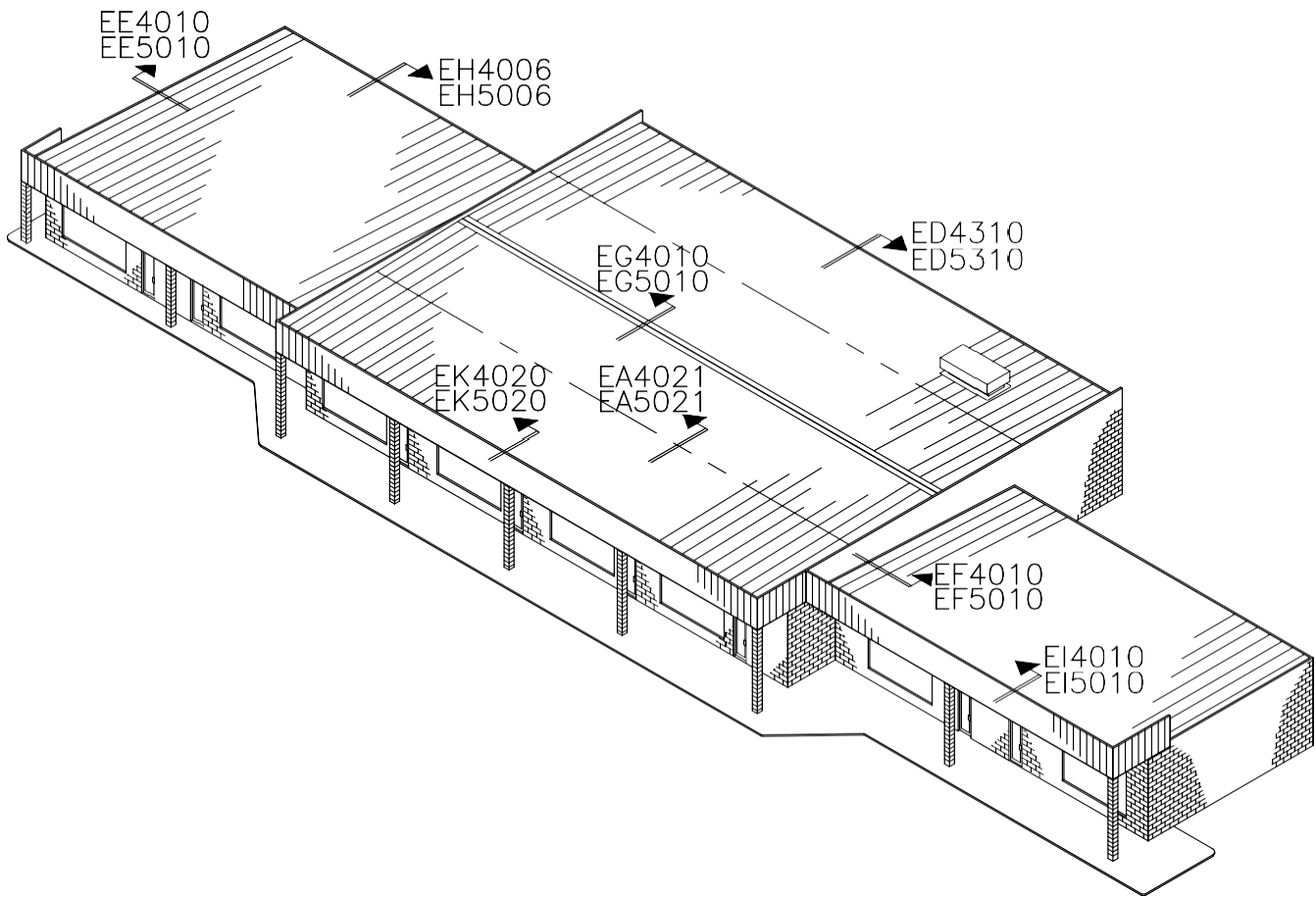


**TABLE OF CONTENTS**

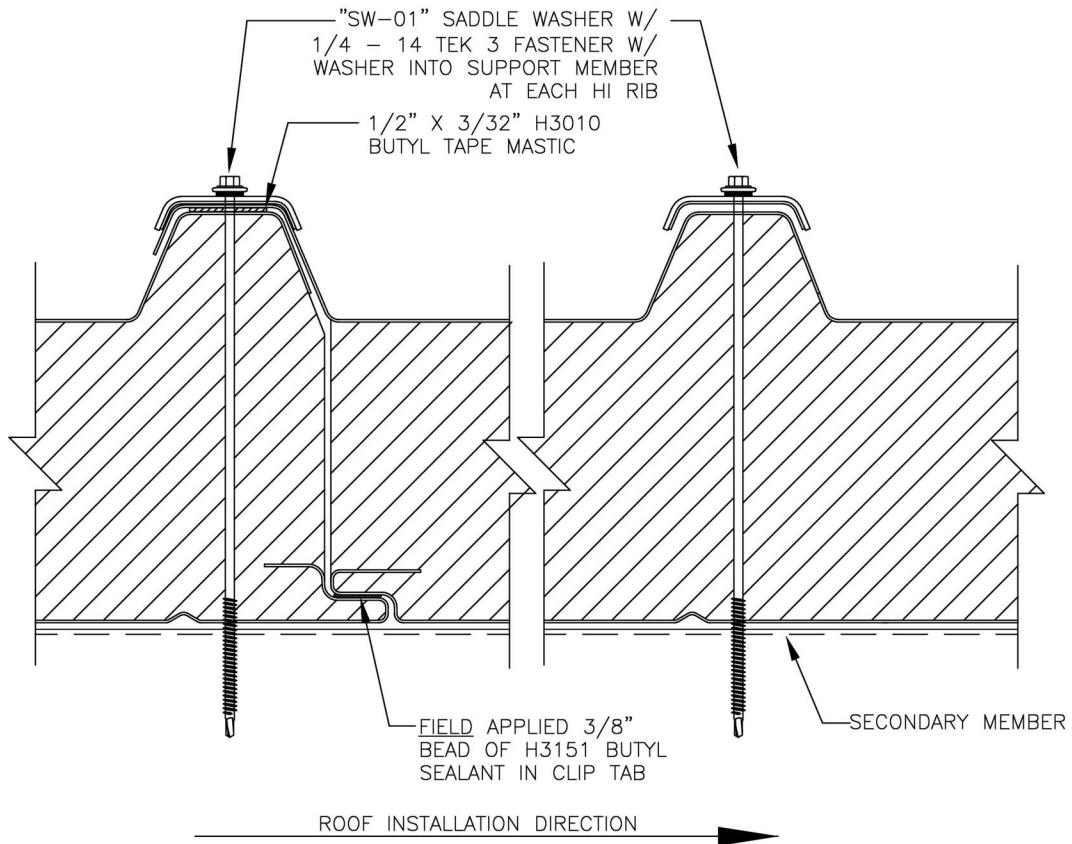
CF0040PE – Building Elevation .....	3
<b>HR3 INSULATED ROOF PANEL .....</b>	<b>4</b>
<b>FASTENER REQUIREMENTS.....</b>	<b>4</b>
EA4000 – Roof Panel Side Lap .....	4
EA4021 – Panel end lap .....	5
<b>LOW EAVE DETAILS .....</b>	<b>6</b>
ED4310 – Horizontal Gutter with Sculptured Rake .....	6
<b>HIGH EAVE DETAILS .....</b>	<b>7</b>
EH4006 – High Eave with Wall Panel .....	7
EI4010 – High Eave (Parapet).....	8
EI4030 – High Eave (Parapet) at Masonry or Concrete.....	9
EI4050 – High Eave (Parapet) Panel Above and Below .....	10
EI4070 – High Eave (Parapet) Non-Structural .....	11
<b>RAKE DETAILS .....</b>	<b>12</b>
EE4010 – Rake (Sculptured) .....	12
EF4010 – Rake (Parapet) Wall Panel Above.....	13
EF4030 – Rake (Parapet) at Masonry or Concrete.....	14
EF4050 – Rake (Parapet) Rafter in High Building .....	15
EF4060 – Rake (Parapet) Rafter in Low Building .....	16
<b>PARAPET GUTTER DETAILS .....</b>	<b>17</b>
EK4020 – Parapet Gutter – Eave Strut.....	17
EK4040 – Parapet Gutter @ Masonry Or Concrete – Eave Strut .....	18
<b>RIDGE DETAILS.....</b>	<b>19</b>
EG4010 – Ridge Condition .....	19
<b>SR2 INSULATED ROOF PANEL .....</b>	<b>20</b>
<b>FASTENER REQUIREMENTS.....</b>	<b>20</b>
EA5000 – Roof Panel Side Lap .....	20
EA5021 – Roof End Lap .....	21
<b>LOW EAVE DETAILS .....</b>	<b>22</b>
ED5310 – Horizontal Gutter with Sculptured Rake .....	22
<b>HIGH EAVE DETAILS .....</b>	<b>23</b>
EH5006 – High Eave with Wall Panel .....	23
EI5010 – High Eave (Parapet).....	24
EI5030 – High Eave (Parapet) at Masonry or Concrete.....	25
EI5050 – High Eave (Parapet) Panel Above and Below .....	26
EI5070 – High Eave (Parapet) Non-Structural .....	27
<b>RAKE DETAILS .....</b>	<b>28</b>
EE5010 – Rake (Sculptured) .....	28
EF5010 – Rake (Parapet) Wall Panel Above.....	29
EF5030 – Rake (Parapet) at Masonry or Concrete.....	30

EF5050 – Rake (Parapet) Rafter in High Building .....	31
EF5060 – Rake (Parapet) Rafter in Low Building .....	32
<b>PARAPET GUTTER DETAILS .....</b>	<b>33</b>
EK5020 – Parapet Gutter – Eave Strut.....	33
EK5040 – Parapet Gutter @ Masonry or Concrete – Eave Strut .....	34
<b>RIDGE DETAILS.....</b>	<b>35</b>
EG5010 – Ridge Condition .....	35

**CF0040PE – BUILDING ELEVATION**



**HR3 INSULATED ROOF PANEL  
FASTENER REQUIREMENTS  
EA4000 – ROOF PANEL SIDE LAP**



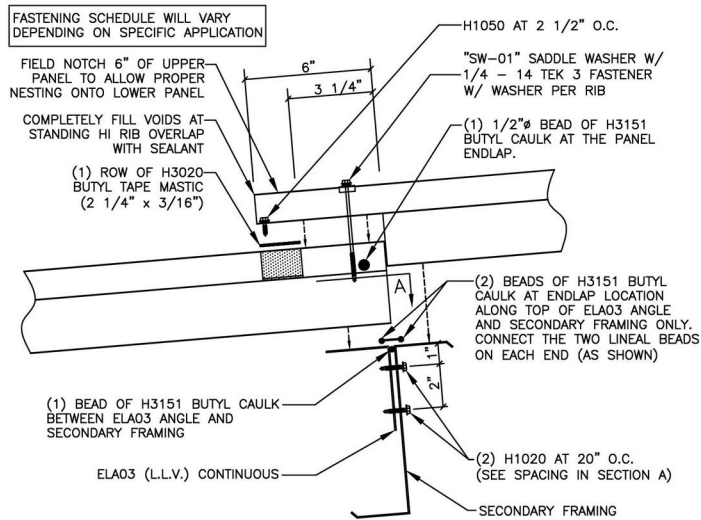
ROOF PANEL JOINT (SECTION VIEW)

HR3 INSULATED ROOF PANEL

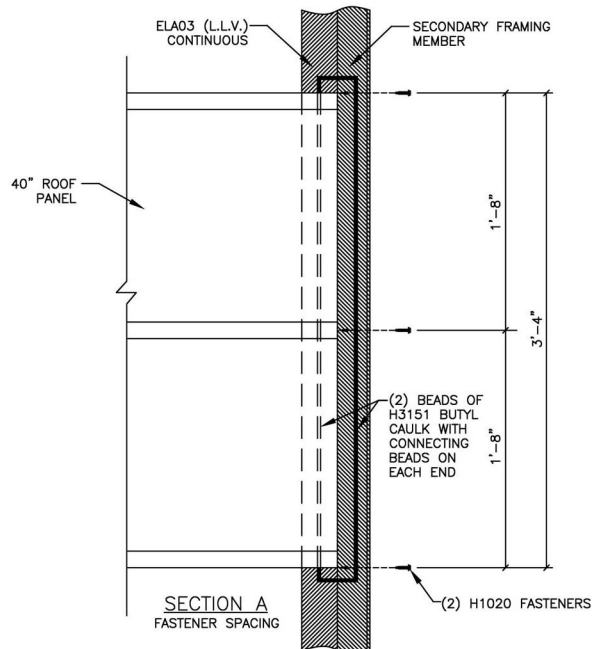
**EA4000**



**EA4021 – PANEL END LAP**



ERECTOR NOTE: FIELD DRILL/NOTCH LAP ANGLE AT PURLIN LAP BOLTS AND PURLIN BRACING AS REQUIRED



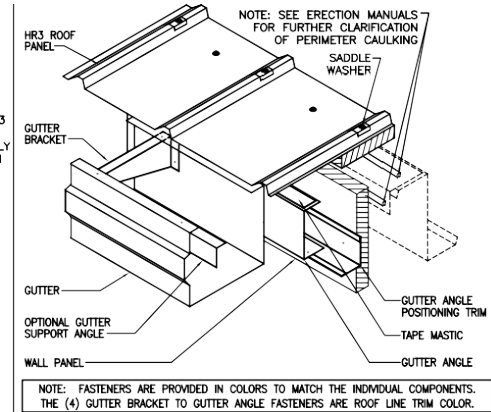
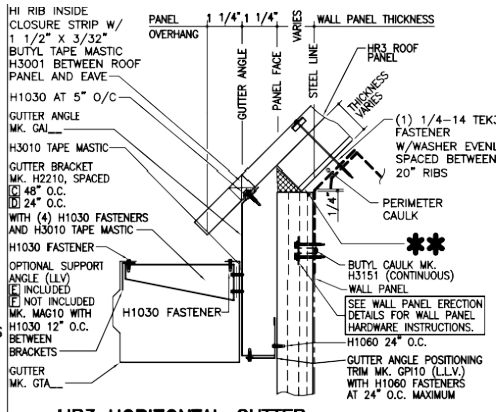
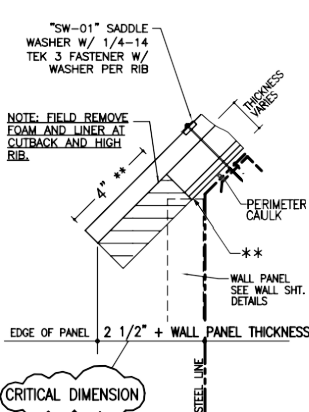
HR3 INSULATED PANEL ENDLAP  
HR3 INSULATED PANEL

**EA4021**



**LOW EAVE DETAILS**

**ED4310 – HORIZONTAL GUTTER WITH SCULPTURED RAKE**



**HR3 HORIZONTAL GUTTER**  
INSULATED METAL WALL PANEL AT SCULPTURED RAKE

\*\* = PANEL NOTCH WILL NOT LINE UP WITH EAVE LINE. THIS POINT WILL VARY DEPENDING ON THE ROOF SLOPE AND THICKNESS OF PANEL.

NOTE: THE BEGINNING OF THIS ASSEMBLY PROCESS ASSURES THE ROOF PANEL, WALL PANEL, AND COMPRESSIBLE INSULATION ARE COMPLETELY INSTALLED. THE PURPOSE OF THE POSITIONING TRIM IS TO ALLOW ADJUSTMENT OF THE GUTTER ANGLE SO THAT IT CAN BE ALIGNED PLUMB. IT ALSO PROVIDES ADJUSTMENT IN THE EVENT THE WALL IS NOT STRAIGHT AND IT ALSO HELPS ANY UNPAVED MATERIALS. IT IS RECOMMENDED TO HOLD THE GP10 1" SHORT OF THE OUTSIDE EDGE OF THE WALL CORNER TRIM.

**STEP 1**

MEASURE OVER 1 1/4" FROM FACE OF WALL AND HOLD THE GUTTER ANGLE GUT UP TO THE UNDERSIDE OF THE TOP LINER OF THE ROOF PANEL AND MARK THE WALL PANEL. INSTALL THE GP10 AT THIS LOCATION, LEAVE 1/4" TO 1/2" GAP AT GP10 ENDS, DO NOT LAP THIS.

AS AN ALTERNATE TO HOLDING THE GP10 GUTTER ANGLE UP TO THE TOP LINER OF THE ROOF PANEL, MEASURE OVER 1 1/4" FROM FACE OF WALL PANEL AND DOWN 1" FROM BOTTOM OF ROOF PANEL & MARK THE WALL PANEL. INSTALL THE GP10 AT THIS LOCATION. LEAVE 1/8" TO 1/4" GAP AT GP10 ENDS, DO NOT LAP THIS.

NOTE: BE SURE TO COMPRESS THE MASTIC ALONG THE TOP BACK LEG OF THE GUTTER INTO THE GUTTER ANGLE.

1/2" H3010 TAPE MASTIC BETWEEN BACK OF GUTTER AND GUTTER ANGLE

GUTTER BRACKET MK. #2210, WITH (4) H1030 FASTENERS AND H3010 TAPE MASTIC

**IMPORTANT GUTTER LOCATION NOTES**  
WITH SCULPTURED RAKE TRIM, HOLD THE END PIECES OF GUTTER 2" PAST THE OUTSIDE FACE OF THE WALL CORNER TRIM (REFERENCE GUTTER POSITIONING END PREP DETAIL).

**STEP 4**

LEFT THE BRACKET IN PLACE, TEMPORARILY CLAMPING IT TO THE GUTTER ANGLE. PULL THE FRONT FACE OF THE GUTTER FORWARD TO ALLOW ACCESS TO INSTALL THE (4) FASTENERS THROUGH THE BACK OF THE BRACKET & GUTTER INTO THE GUTTER ANGLE. DO NOT YET INSTALL THE FASTENER AT THE OUTER LIP OF THE GUTTER.

NOTE: THE ALIGNMENT OF THE GUTTER ANGLE IS CRITICAL TO THE FINAL APPEARANCE AND STRENGTHNESS OF THE HORIZONTAL GUTTER SYSTEM.

1 1/2" TAPE MASTIC H3010

GUTTER ANGLE LIP NOTES  
AT GUTTER ANGLE ENDS, BUTT THE PIECES TOGETHER, DO NOT LAP THEM.

**IMPORTANT NOTE**  
AT GUTTER ENDS, HOLD THE GUTTER ANGLE FLUSH WITH THE END OF GP10 TRIM.

GUTTER ANGLE POSITIONING TRIM MK. GP10 (LLV) WITH H1030 FASTENERS AT 24" O.C. MAXIMUM

**STEP 2**

APPLY TAPE MASTIC TO THE GUTTER ANGLE AS SHOWN. ALSO CLAMP THE GUTTER ANGLE TO THE ROOF PANEL. FASTEN THE GUTTER ANGLE TO THE ROOF PANEL. PLUMB THE GUTTER ANGLE AND FASTEN THE GP10 TO THE GUTTER ANGLE.

NOTE: IF THE OPTIONAL GUTTER SUPPORT ANGLE IS REQUIRED IN THE DETAIL, STOP TO STEP 4. IF IT IS NOT REQUIRED, CONTINUE WITH STEP 4. REFER TO THE DETAIL AT TOP LEFT TO DETERMINE WHETHER OR NOT IT IS REQUIRED.

(1) H1030 FASTENER PER BRACKET

**GUTTER LAP NOTES**  
CALL ALL ADJOINING SURFACES AND LAP GUTTER ENDS 1" POP INCH TOGETHER WITH (10) H100 POP RIVETS.

**STEP 5**

AFTER THE (4) FASTENERS ARE INSTALLED THROUGH THE GUTTER BRACKETS & INTO THE GUTTER ANGLE, ALONG THE ENTIRE LENGTH OF A SECTION OF GUTTER, THE FASTENER AT THE FRONT LIP OF THE GUTTER CAN BE INSTALLED. CLAMPING THE BRACKET TO GUTTER ANGLE FACILITATES EASIER INSTALLATION.

NOTE: HOLD THE BRACKET AT END PIECE OF GUTTER APPROXIMATELY 1"-2" FROM END OF THE GUTTER TO ALLOW ROOM FOR RAKE TRIM TRANSITION INTO THE GUTTER.

H3010 TAPE MASTIC WILL BE PLACED IN LOCATION SHOWN HERE

CONTRASTOUS H3010 1/2" TAPE MASTIC (SEE NOTE ABOVE)

BACK LEG OF GUTTER

GUTTER BRACKET MK. #2210

H1030

GUTTER MK. GTA

1/2" TAPE MASTIC H3010 BETWEEN BRACKET AND GUTTER

**STEP 3**

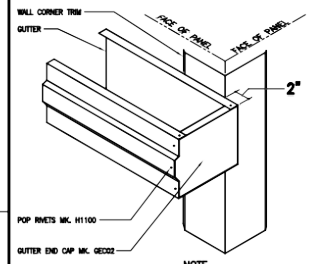
MARK THE LOCATIONS OF THE GUTTER BRACKETS, BASED ON THE SPACING SHOWN ABOVE LEFT. APPLY TAPE MASTIC TO THE VERTICAL BACK LEGS OF THE BRACKETS. INSTALL AN H1030 FASTENER AT THE BACK LIP OF THE GUTTER ONLY AT THIS TIME. APPLY TAPE MASTIC ALONG THE FULL LENGTH OF THE BACK LIP OF THE GUTTER AS SHOWN.

NOTE: IF THE OPTIONAL GUTTER SUPPORT ANGLE IS REQUIRED, IT CAN BE INSTALLED AT THIS TIME. THE FASTENER AT THE FRONT LIP OF THE GUTTER WILL GO THROUGH THE GUTTER, GUTTER SUPPORT ANGLE, AND THE GUTTER BRACKET.

(1) H1030 FASTENER PER BRACKET AND (1) H1030 FASTENER 12" O.C. BETWEEN BRACKETS

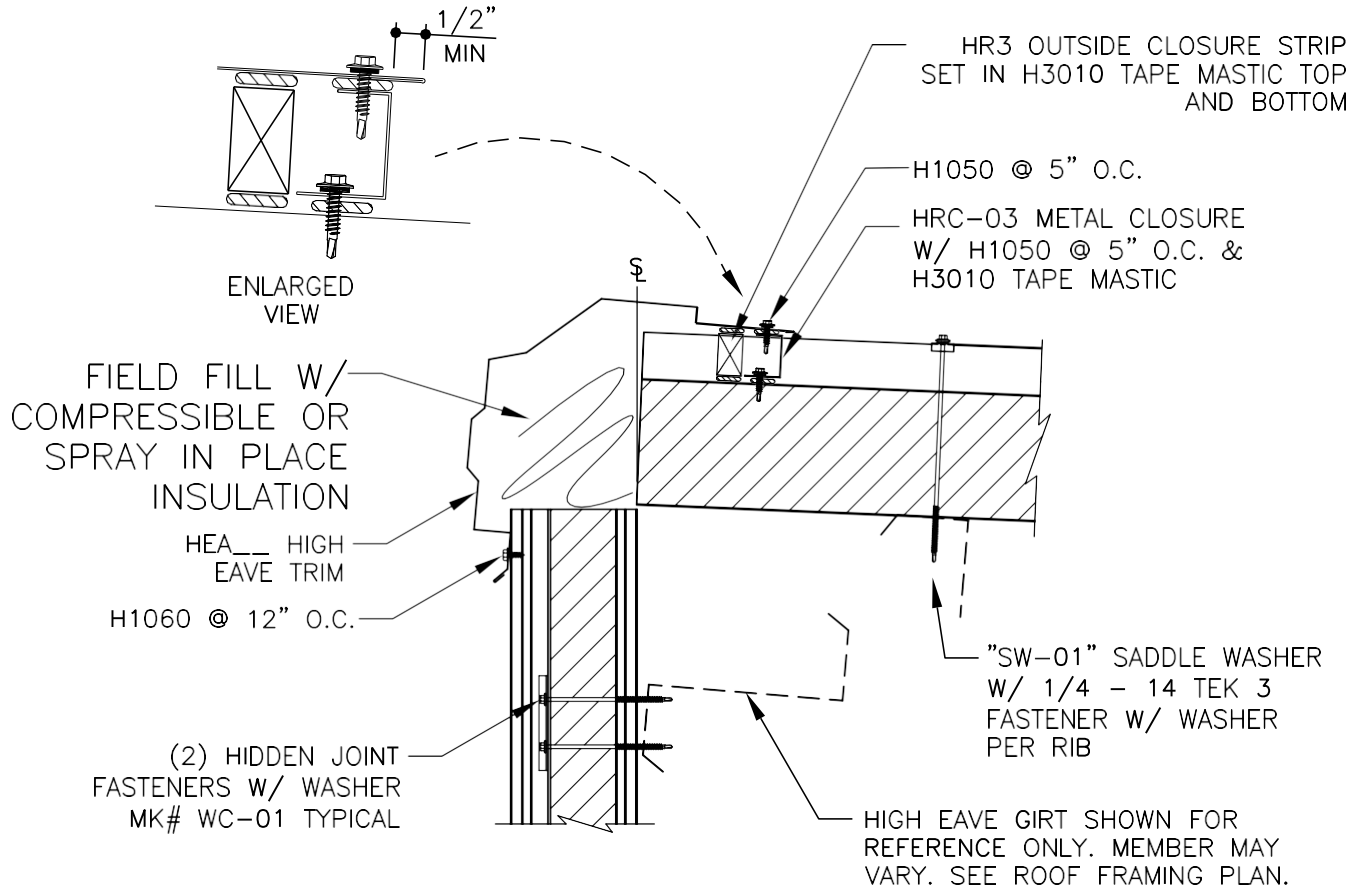
GUTTER SUPPORT ANGLE (LLV) MK. MAG10

**SUPPORT ANGLE NOTES**  
AT THE END PIECES OF GUTTER, HOLD THE GUTTER SUPPORT ANGLE 2" FROM THE END OF THE GUTTER. THIS WILL KEEP IT OUT OF THE WAY OF THE GUTTER END CAP WHEN THESE ARE INSTALLED.



**HIGH EAVE DETAILS**

**EH4006 – HIGH EAVE WITH WALL PANEL**



PANEL THICKNESS	HIDDEN FASTENER
2"	#14 X 2 SDHH
2 1/2"	#14 X 3 SDHH
3"	#14 X 3 SDHH
4"	#14 X 4 SDHH

**HIGH SIDE EAVE**

HR3 INSULATED ROOF PANEL

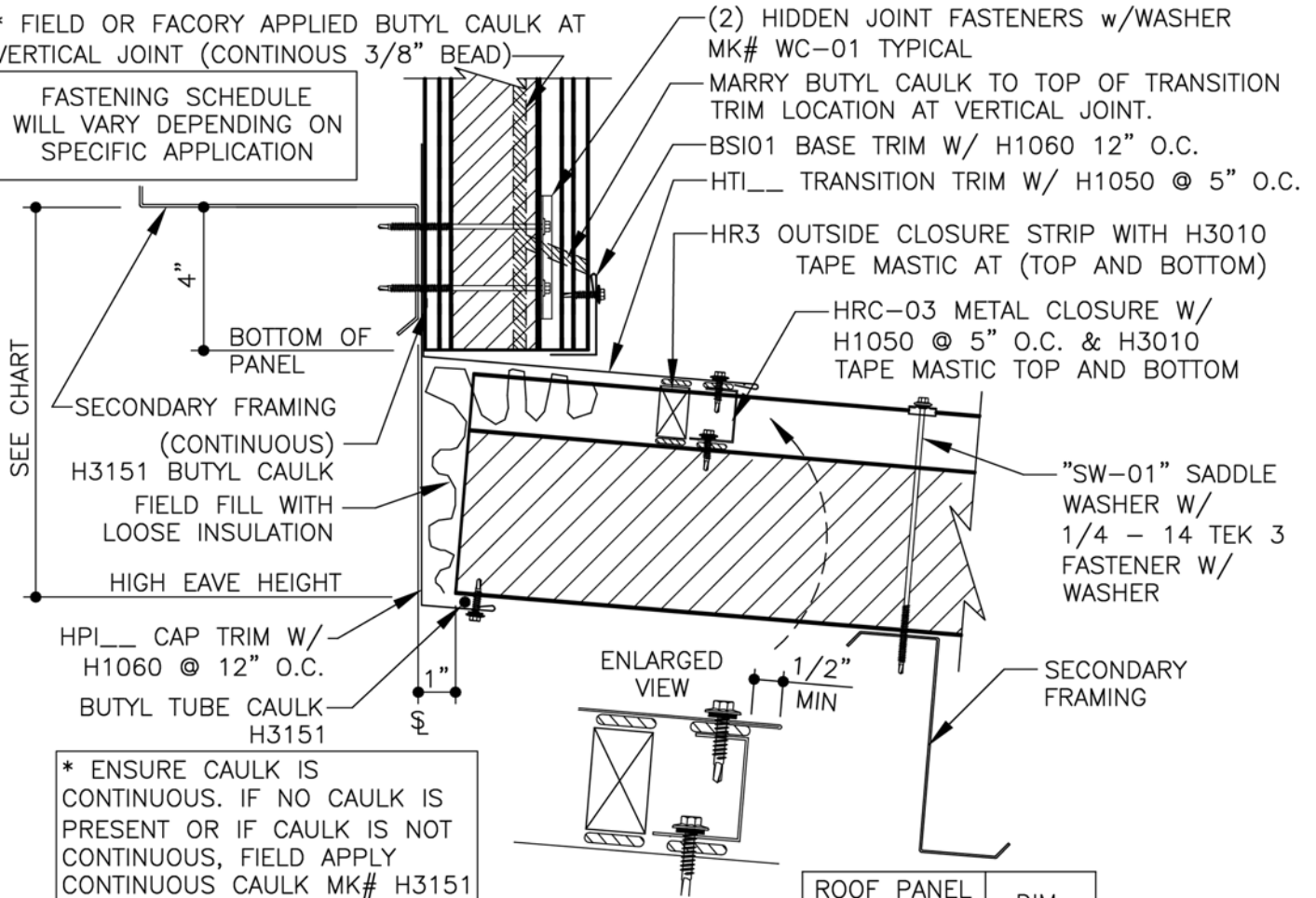
SEE INSULATED WALL PANEL ERECTION NOTES FOR ASSEMBLY METHOD

**EH4006**

**EI4010 – HIGH EAVE (PARAPET)**

\* FIELD OR FACORY APPLIED BUTYL CAULK AT VERTICAL JOINT (CONTINUOUS 3/8" BEAD)

FASTENING SCHEDULE WILL VARY DEPENDING ON SPECIFIC APPLICATION



\* ENSURE CAULK IS CONTINUOUS. IF NO CAULK IS PRESENT OR IF CAULK IS NOT CONTINUOUS, FIELD APPLY CONTINUOUS CAULK MK# H3151

PANEL THICKNESS	HIDDEN FASTENER
2"	#14 X 2 SDHH
2 1/2"	#14 X 3 SDHH
3"	#14 X 3 SDHH
4"	#14 X 4 SDHH

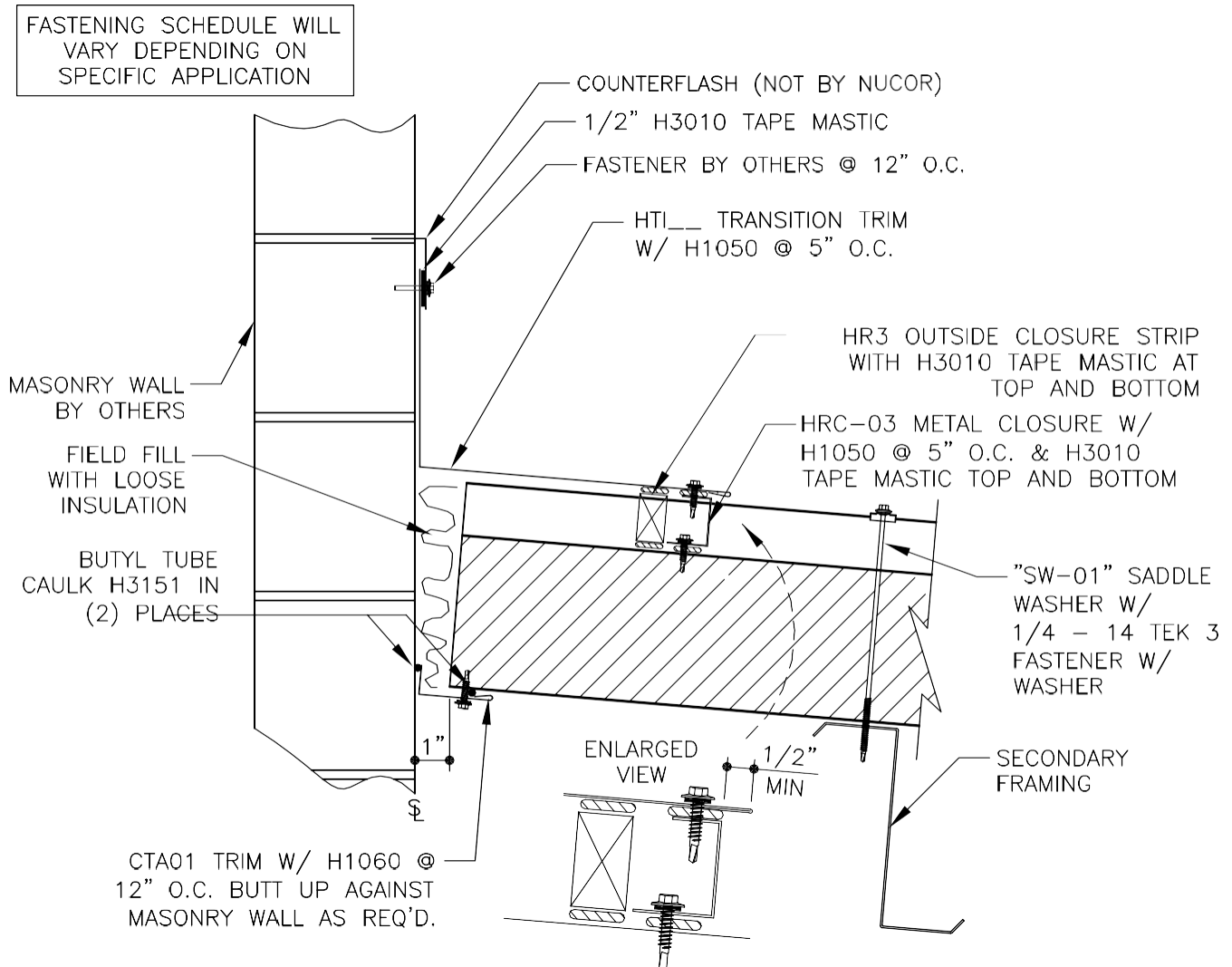
ROOF PANEL THICKNESS	DIM.
2 1/2"	0'-8"
4"	9 1/2"
5"	10 1/2"
6"	11 1/2"

**HIGH EAVE PARAPET DETAIL**

HR3 INSULATED PANEL

**EI4010**

**EI4030 – HIGH EAVE (PARAPET) AT MASONRY OR CONCRETE**



**HIGH EAVE PARAPET DETAIL**

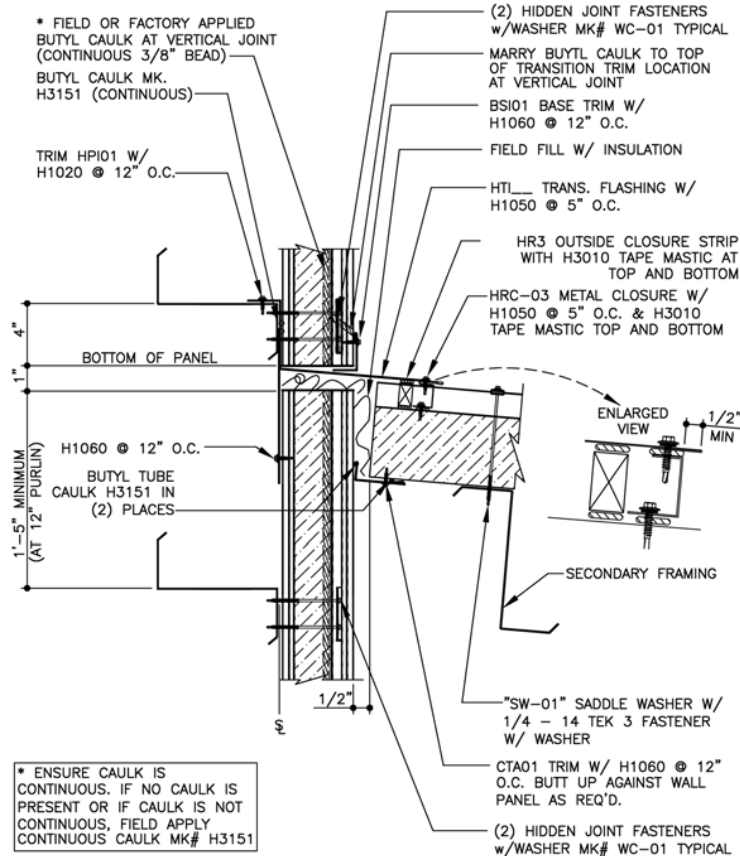
HR3 INSULATED PANEL AT MASONRY WALL

**EI4030**

**EI4050 – HIGH EAVE (PARAPET) PANEL ABOVE AND BELOW**

PANEL THICKNESS	HIDDEN FASTENER
2"	#14 X 2 SDHH
2 1/2"	#14 X 3 SDHH
3"	#14 X 3 SDHH
4"	#14 X 4 SDHH

FASTENING SCHEDULE  
WILL VARY DEPENDING ON  
SPECIFIC APPLICATION



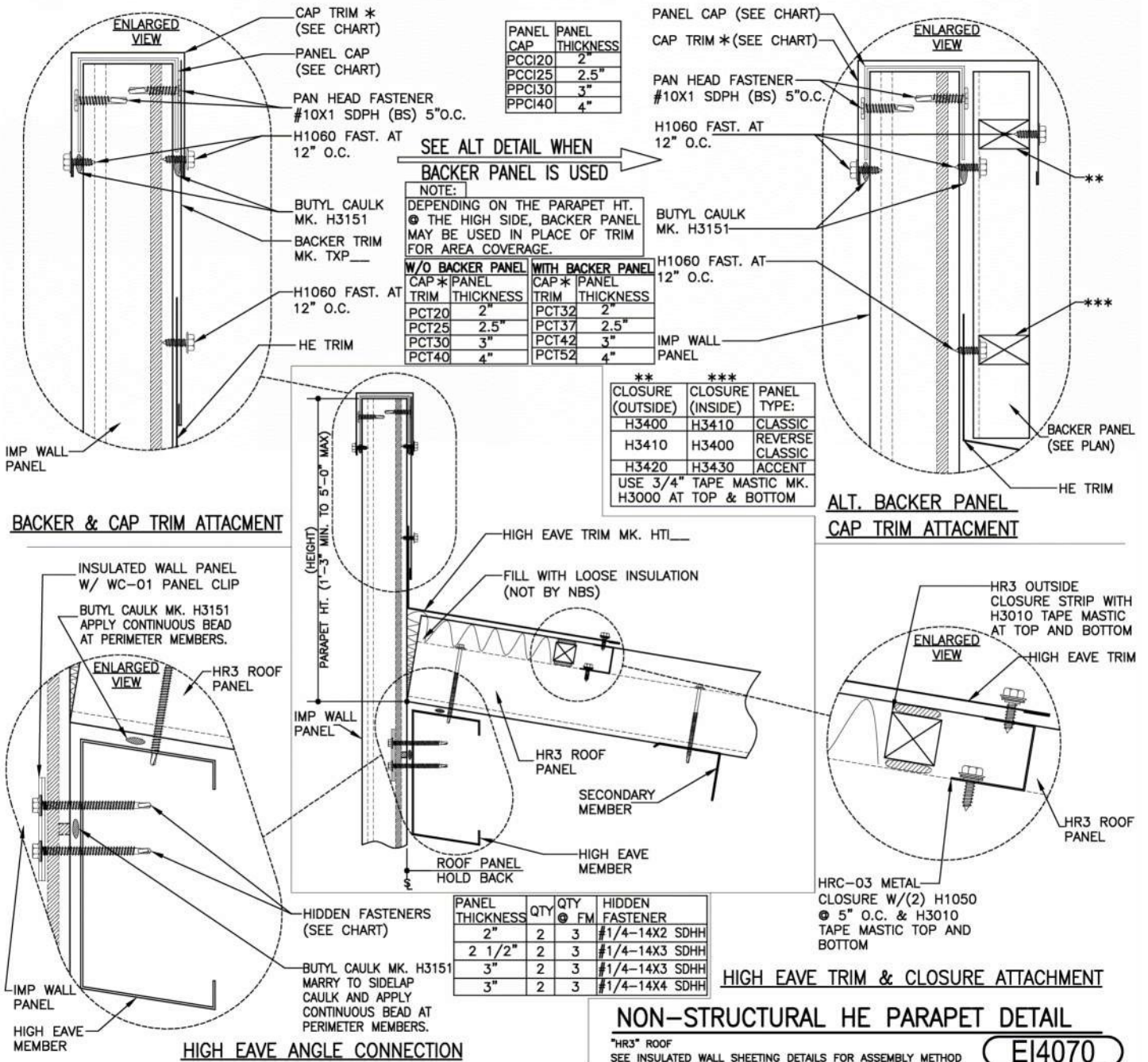
**HIGH EAVE PARAPET DETAIL  
WALL PANEL ABOVE AND BELOW**

HR3 INSULATED PANEL

**EI4050**

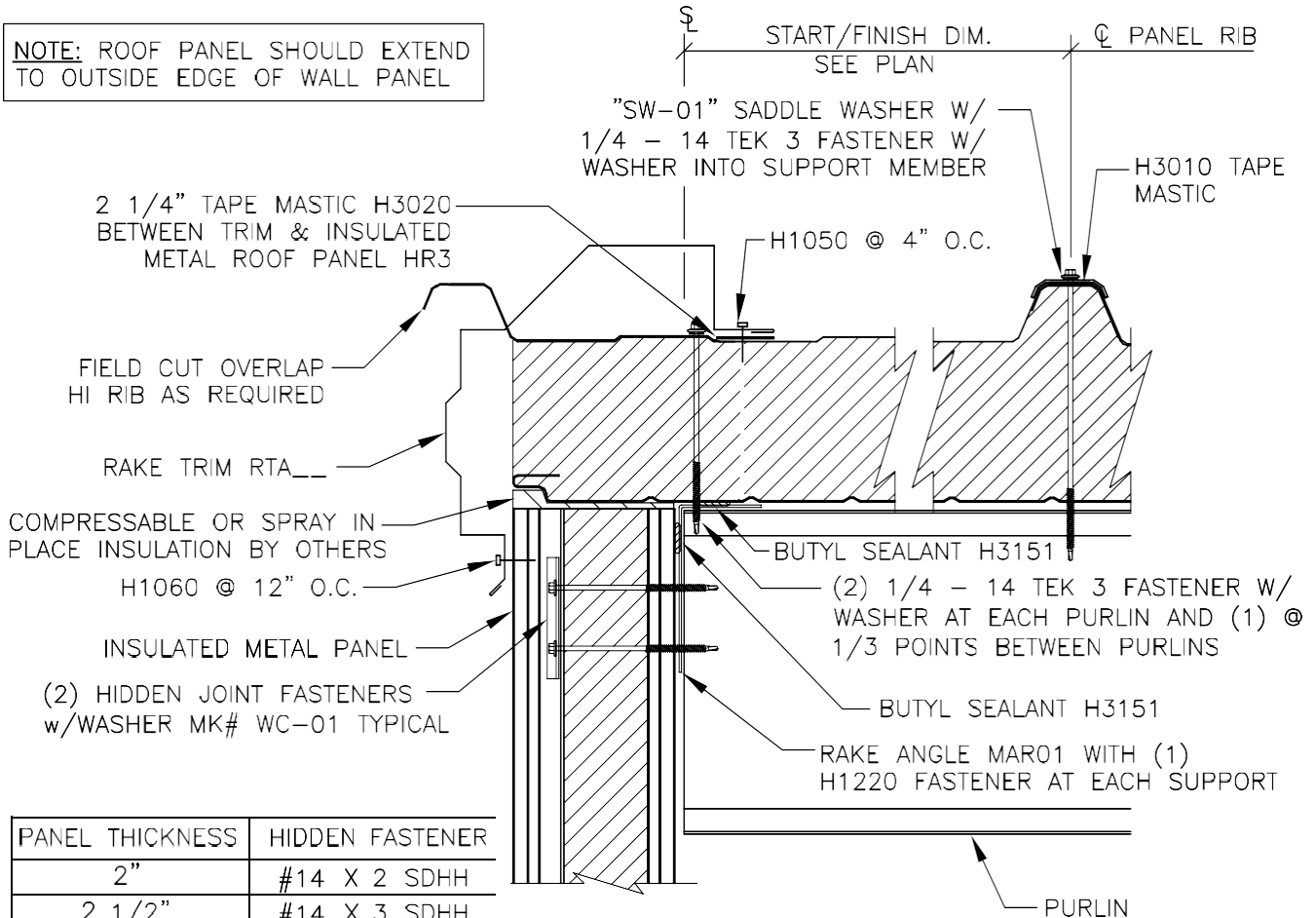


**EI4070 – HIGH EAVE (PARAPET) NON-STRUCTURAL**



**RAKE DETAILS**  
**EE4010 – RAKE (SCULPTURED)**

**NOTE:** ROOF PANEL SHOULD EXTEND TO OUTSIDE EDGE OF WALL PANEL



PANEL THICKNESS	HIDDEN FASTENER
2"	#14 X 2 SDHH
2 1/2"	#14 X 3 SDHH
3"	#14 X 3 SDHH
4"	#14 X 4 SDHH

FASTENING SCHEDULE WILL VARY DEPENDING ON SPECIFIC APPLICATION

**SCULPTURED RAKE DETAIL**

INSULATED METAL PANEL  
SEE INSULATED WALL SHEETING DETAILS FOR ASSEMBLY METHOD

**EE4010**



**EF4010 – RAKE (PARAPET) WALL PANEL ABOVE**

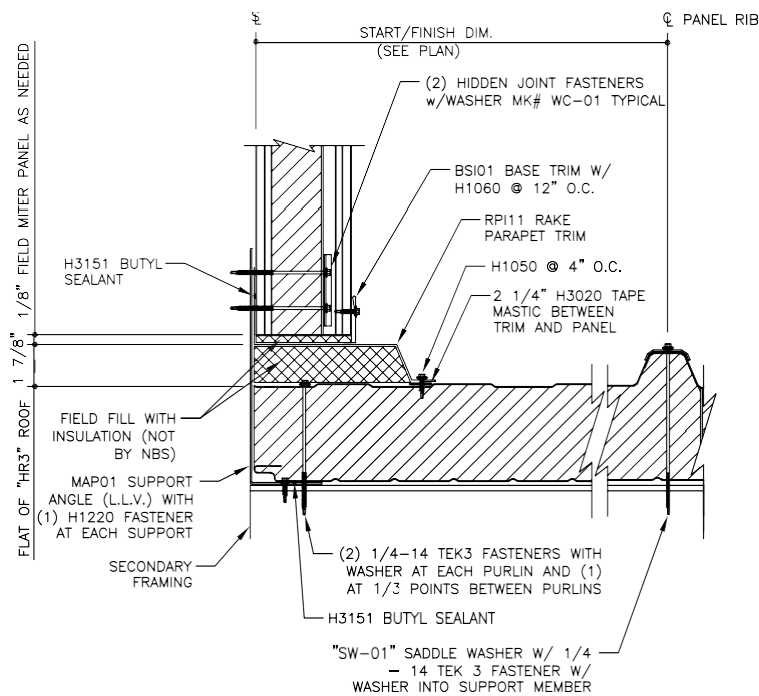
NOTES:

ALWAYS BEGIN THE RAKE PARAPET TRIM INSTALLATION STARTING AT THE LOW EAVE AND WORK TOWARD THE HIGH EAVE OR RIDGE.

THE RAKE PARAPET TRIM IS DESIGNED TO HAVE "POSITIVE DRAINAGE" ONTO THE ROOF. THIS IS TO HELP ALLEVIATE THE POSSIBILITY OF WATER PONDING ON THE TRIM. SEE DETAIL "A" BELOW.

FASTEN THE RAKE PARAPET TRIM TO THE ROOF PANEL AT 4" ON CENTER,

REFER TO THE HR3 ERECTION MANUAL FOR ADDITIONAL TRIM LAP INFORMATION AND DETAILS.



PANEL THICKNESS	HIDDEN FASTENER
2"	# 4 X 2 SDHH
2 1/2"	# 4 X 3 SDHH
3"	# 4 X 3 SDHH
4"	# 4 X 4 SDHH

FASTENING SCHEDULE WILL VARY DEPENDING ON SPECIFIC APPLICATION

**RAKE PARAPET DETAIL**

HR3 ROOF PANEL  
SEE INSULATED WALL PANEL SHEETING ERECTION NOTES

**EF4010**

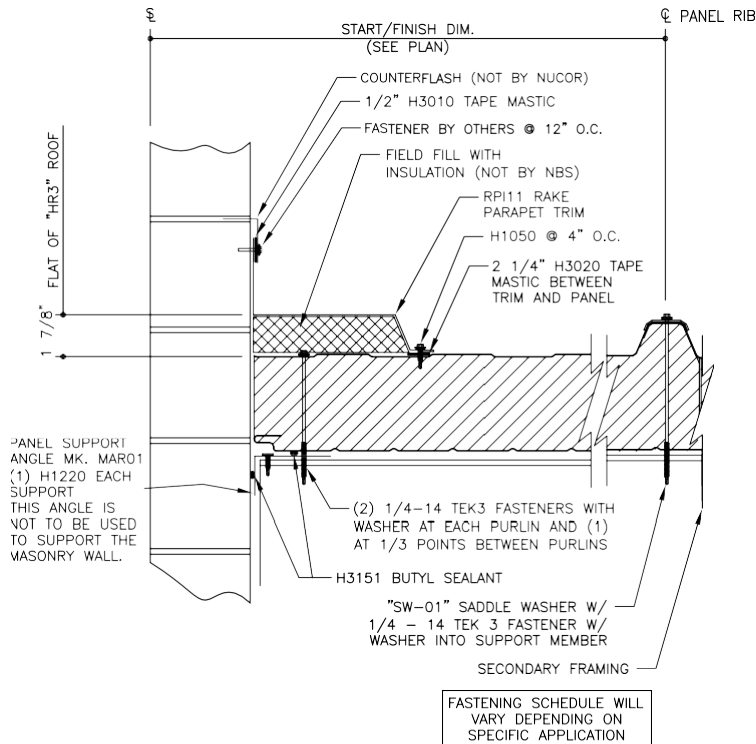
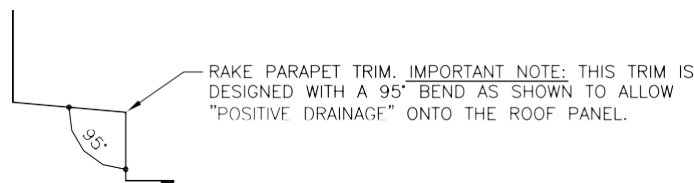
**EF4030 – RAKE (PARAPET) AT MASONRY OR CONCRETE**

NOTES:  
ALWAYS BEGIN THE RAKE PARAPET TRIM INSTALLATION STARTING AT THE LOW EAVE AND WORK TOWARD THE HIGH EAVE OR RIDGE.

THE RAKE PARAPET TRIM IS DESIGNED TO HAVE "POSITIVE DRAINAGE" ONTO THE ROOF. THIS IS TO HELP ALLEVIATE THE POSSIBILITY OF WATER PONDING ON THE TRIM. SEE DETAIL "A" BELOW.

FASTEN THE RAKE PARAPET TRIM TO THE ROOF PANEL AT 4" ON CENTER,

REFER TO THE HR3 ERECTION MANUAL FOR ADDITIONAL TRIM LAP INFORMATION AND DETAILS.



**RAKE PARAPET DETAIL**

HR3 ROOF PANEL AT MASONRY WALL  
SEE INSULATED WALL PANEL SHEETING ERECTION NOTES

**EF4030**

**EF4050 – RAKE (PARAPET) RAFTER IN HIGH BUILDING**

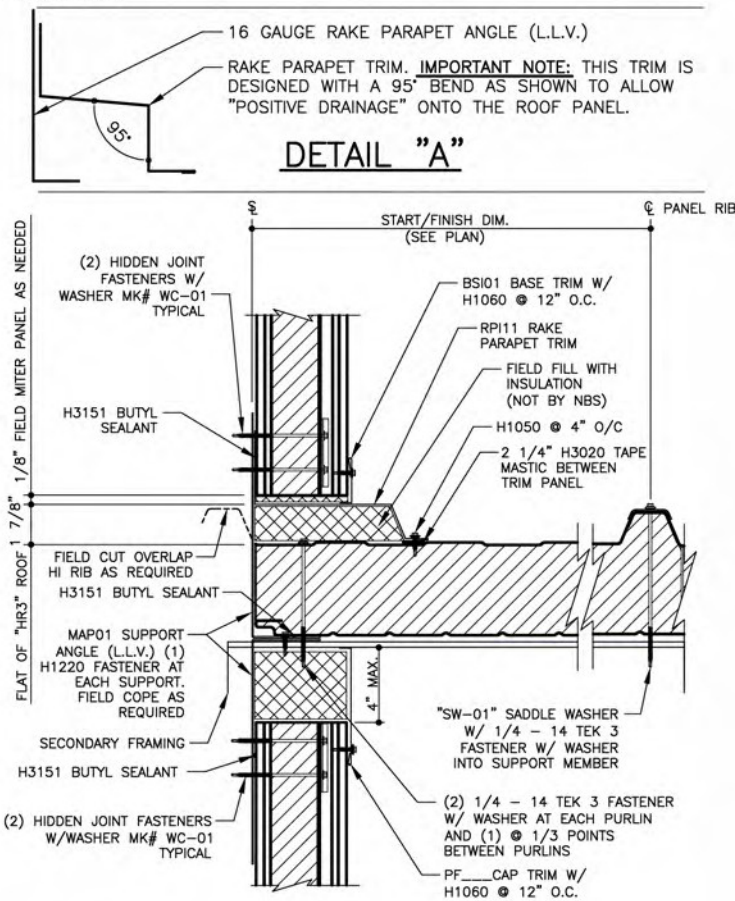
**NOTES:**

ALWAYS BEGIN THE RAKE PARAPET TRIM INSTALLATION STARTING AT THE LOW EAVE AND WORK TOWARD THE HIGH EAVE OR RIDGE.

THE RAKE PARAPET TRIM IS DESIGNED TO HAVE "POSITIVE DRAINAGE" ONTO THE ROOF. THIS IS TO HELP ALLEVIATE THE POSSIBILITY OF WATER PONDING ON THE TRIM. SEE DETAIL "A" BELOW.

FASTEN THE RAKE PARAPET TRIM TO THE ROOF PANEL AT 4" ON CENTER,

REFER TO THE HR3 ERECTION MANUAL FOR ADDITIONAL TRIM LAP INFORMATION AND DETAILS.



PANEL THICKNESS	HIDDEN FASTENER
2"	#14 X 2 SDHH
2 1/2"	#14 X 3 SDHH
3"	#14 X 3 SDHH
4"	#14 X 4 SDHH

FASTENING SCHEDULE WILL VARY DEPENDING ON SPECIFIC APPLICATION

**RAKE PARAPET DETAIL**

RAFTER IN HIGH BUILDING, "HR3" ROOF  
SEE INSULATED WALL PANEL SHEETING ERECTION NOTES

**EF4050**

**EF4060 – RAKE (PARAPET) RAFTER IN LOW BUILDING**

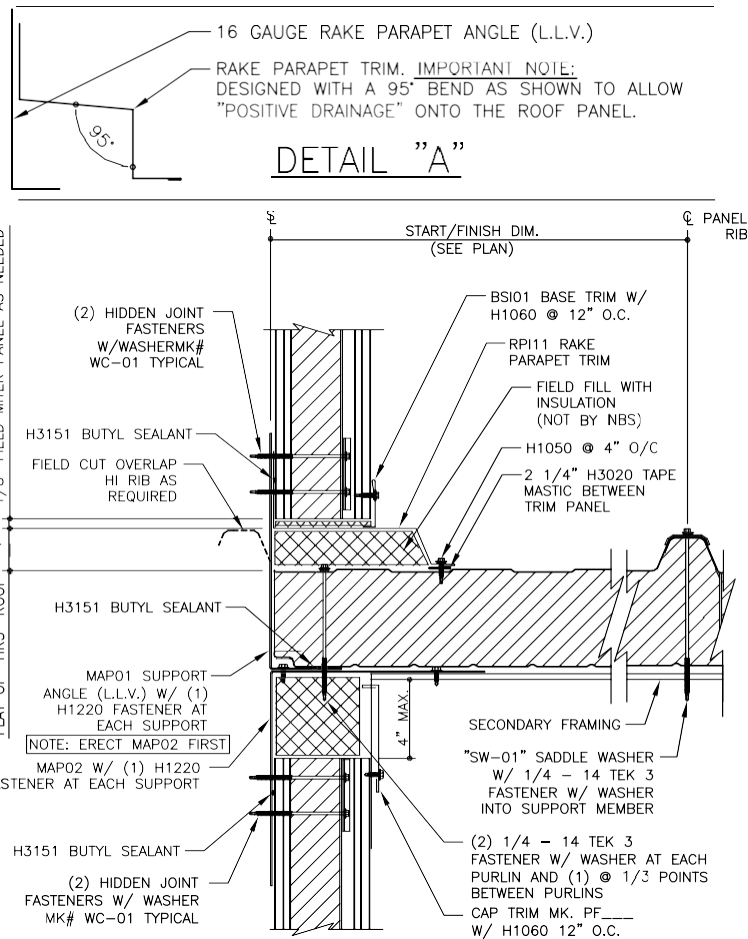
NOTES:

ALWAYS BEGIN THE RAKE PARAPET TRIM INSTALLATION STARTING AT THE LOW EAVE AND WORK TOWARD THE HIGH EAVE OR RIDGE.

THE RAKE PARAPET TRIM IS DESIGNED TO HAVE "POSITIVE DRAINAGE" ONTO THE ROOF. THIS IS TO HELP ALLEVIATE THE POSSIBILITY OF WATER PONDING ON THE TRIM. SEE DETAIL "A" BELOW.

FASTEN THE RAKE PARAPET TRIM TO THE ROOF PANEL AT 4" ON CENTER,

REFER TO THE HR3 ERECTION MANUAL FOR ADDITIONAL TRIM LAP INFORMATION AND DETAILS.



PANEL THICKNESS	HIDDEN FASTENER
2"	# 4 X 2 SDHH
2 1/2"	# 4 X 3 SDHH
3"	# 4 X 3 SDHH
4"	# 4 X 4 SDHH

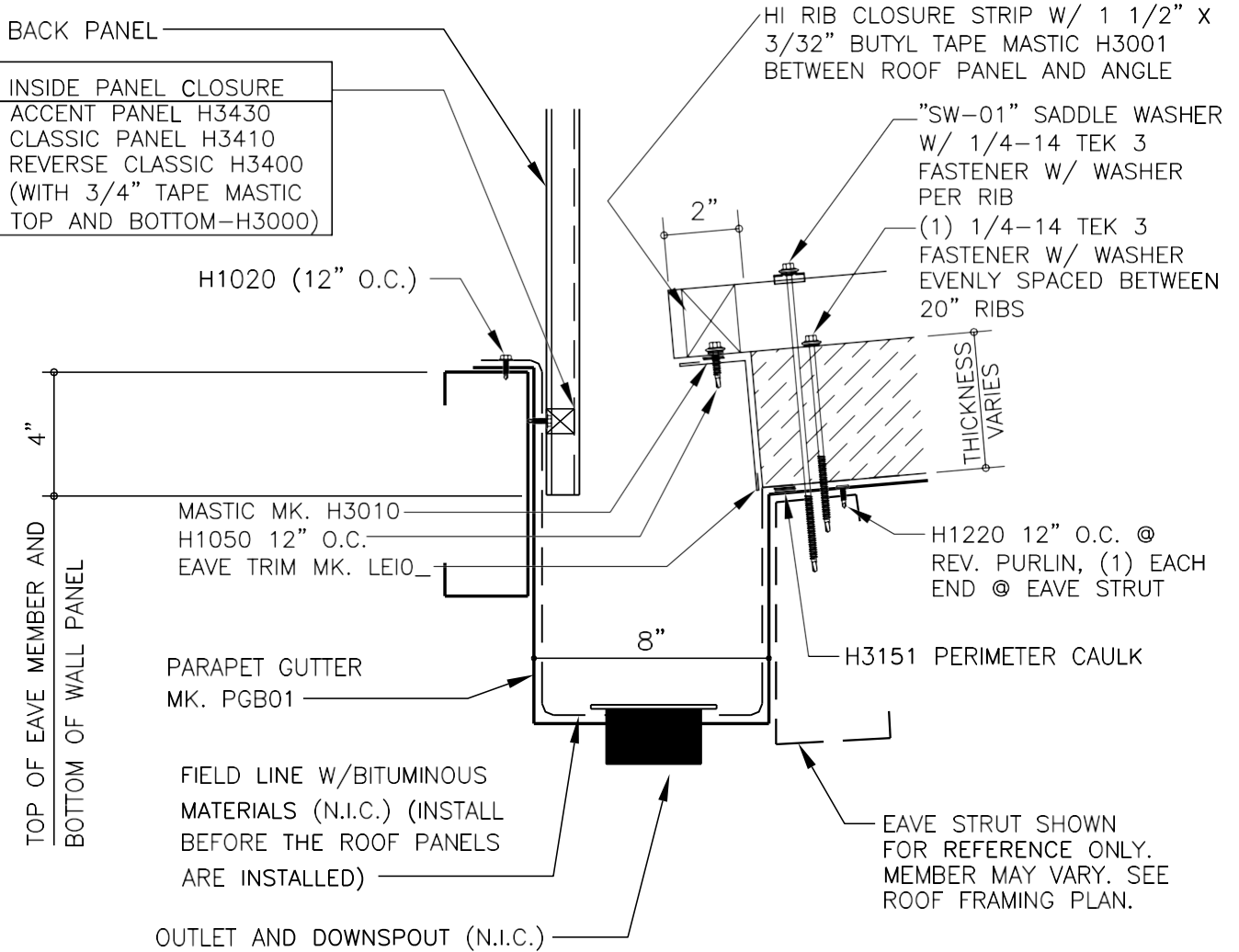
FASTENING SCHEDULE WILL VARY DEPENDING ON SPECIFIC APPLICATION

**RAKE PARAPET DETAIL**

RAFTER IN LOW BUILDING, "HR3" ROOF  
SEE INSULATED WALL PANEL SHEETING ERECTION NOTES

**EF4060**

**PARAPET GUTTER DETAILS**  
**EK4020 – PARAPET GUTTER – EAVE STRUT**

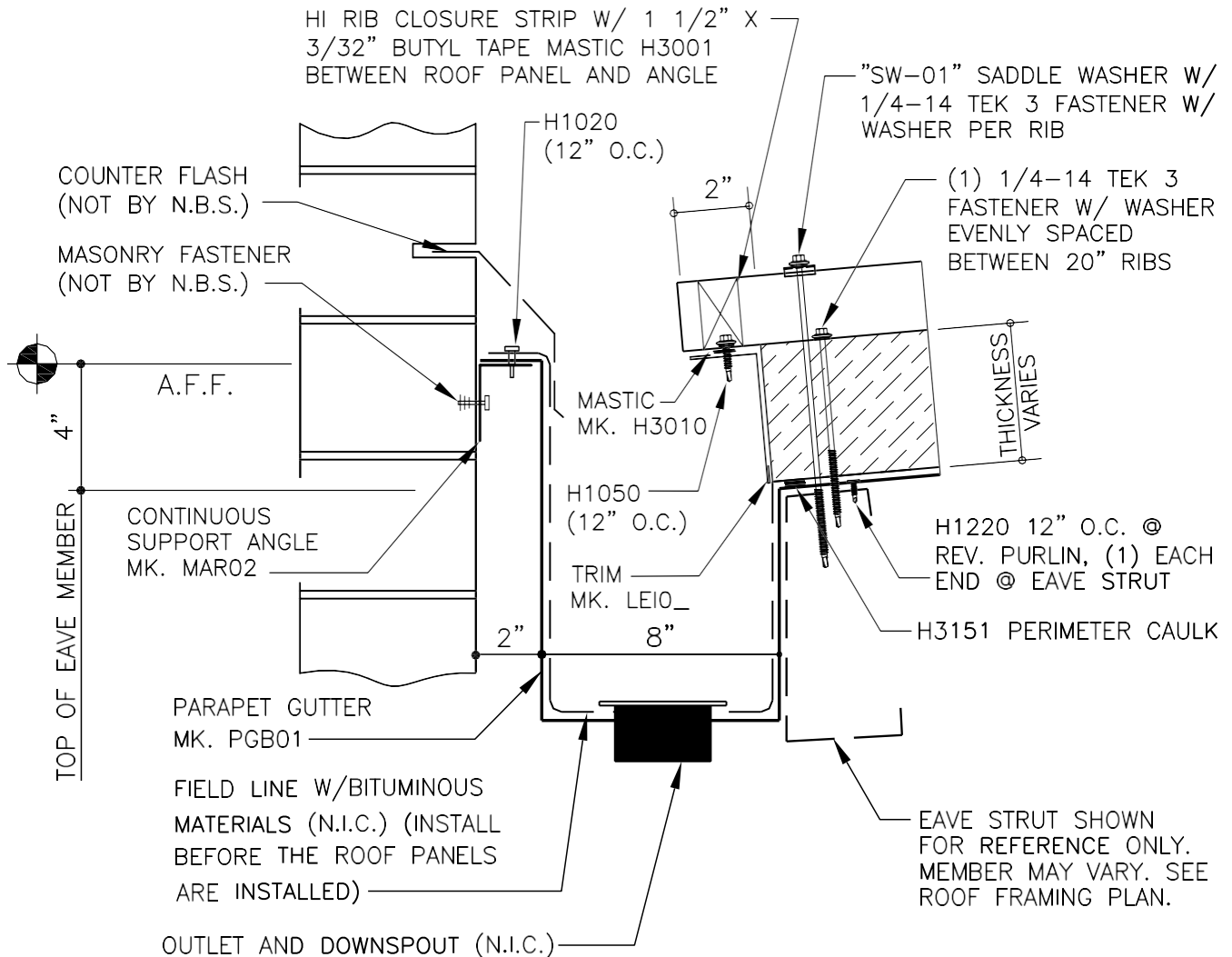


**PARAPET GUTTER DETAIL**

"HR3" ROOF  
SEE WALL SHEETING ERECTION NOTES  
FOR WALL PANEL FASTENER LOCACTIONS

**EK4020**

**EK4040 – PARAPET GUTTER @ MASONRY OR CONCRETE – EAVE STRUT**

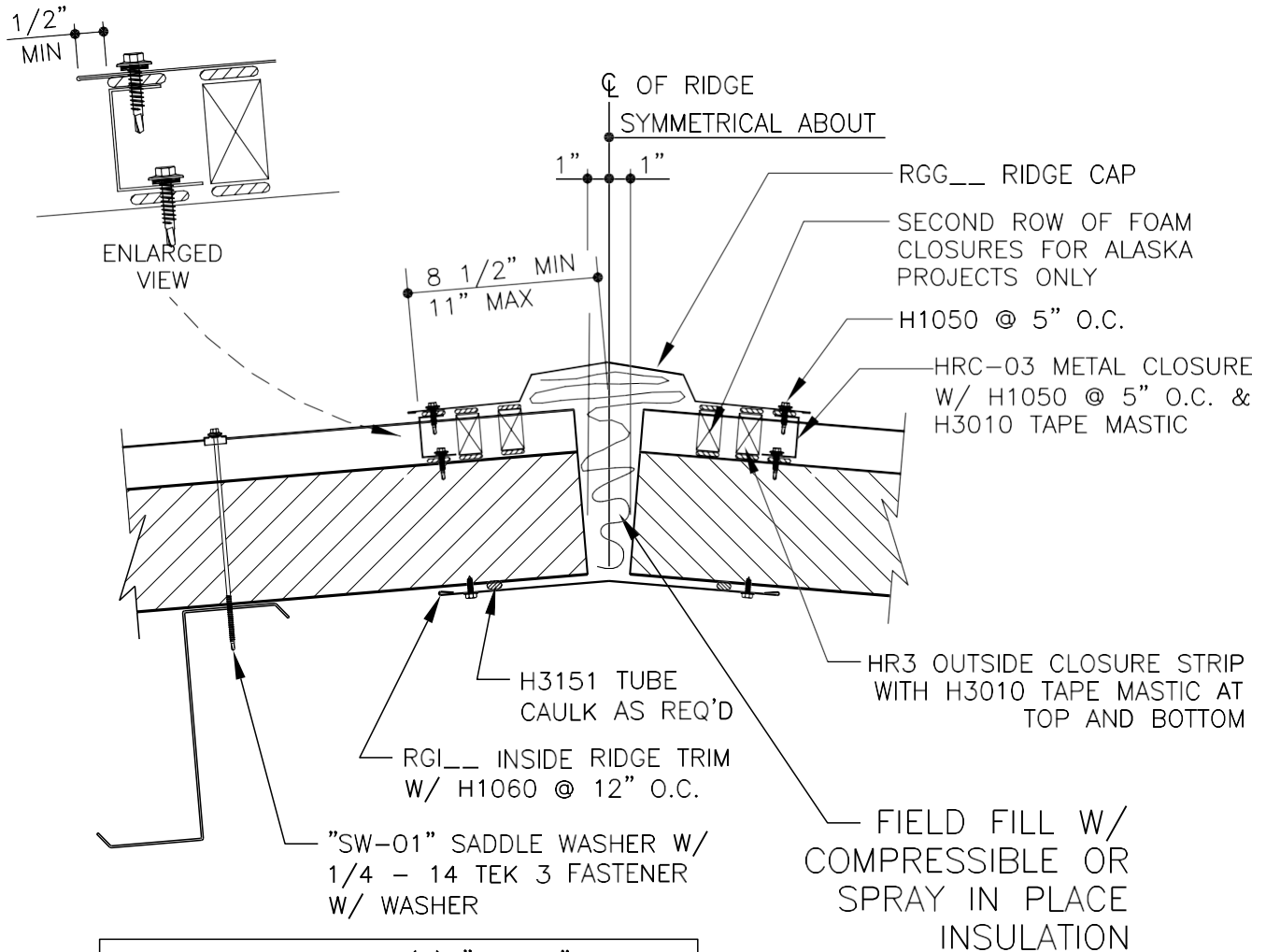


**PARAPET GUTTER DETAIL**

"HR3" ROOF  
SEE WALL SHEETING ERECTION NOTES  
FOR WALL PANEL FASTENER LOCATIONS

**EK4040**

**RIDGE DETAILS**  
**EG4010 – RIDGE CONDITION**



NOTE: FIELD LOCATE (1) "SW-01" SADDLE WASHER CLIP ASSEMBLY AT EVERY HIGH RIB.

**RIDGE DETAIL**

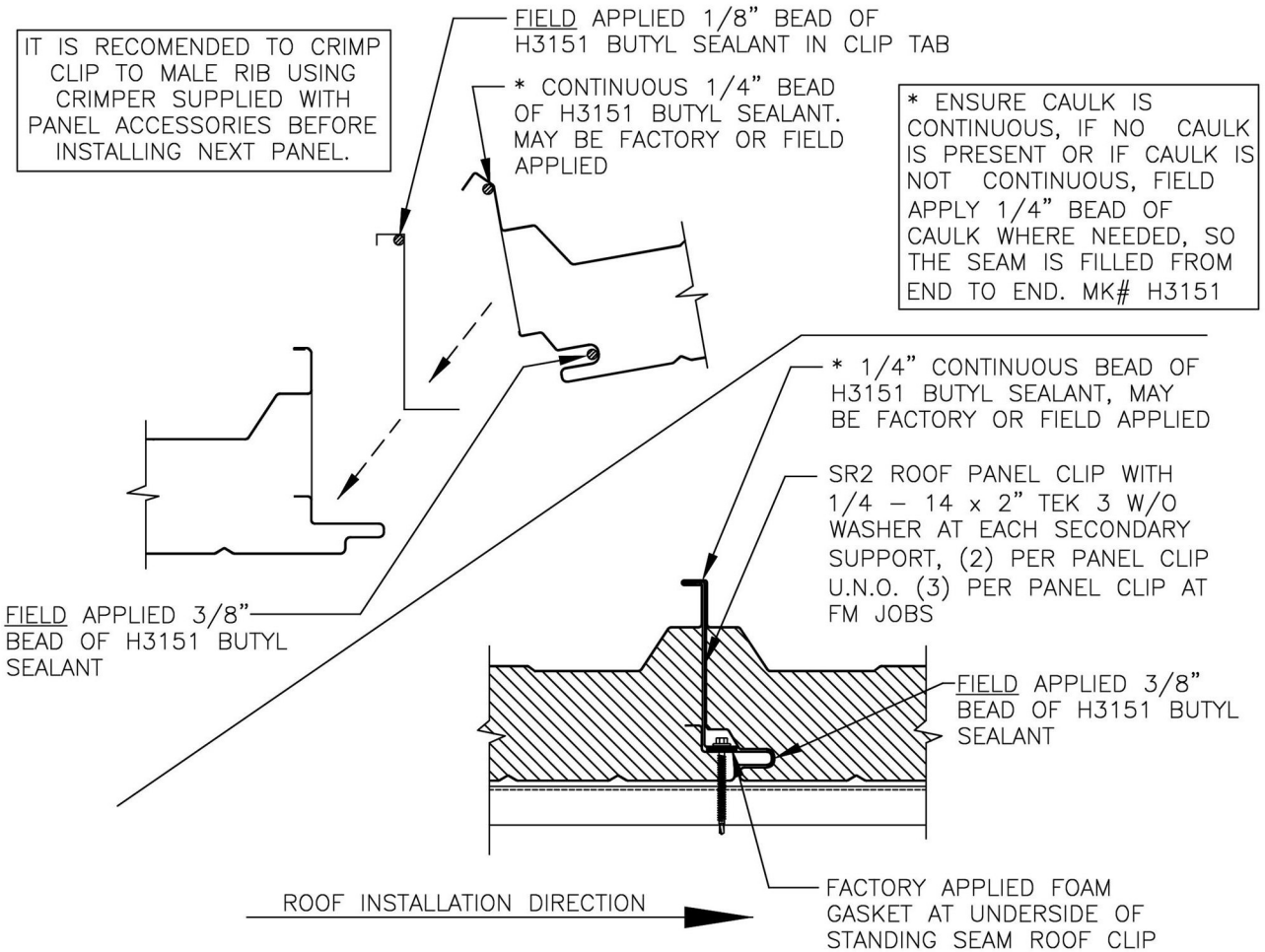
HR3 INSULATED PANEL

**EG4010**



**SR2 INSULATED ROOF PANEL**  
**FASTENER REQUIREMENTS**  
**EA5000 – ROOF PANEL SIDE LAP**

NOTE: DO NOT OVER DRIVE FASTENERS. IF THE METAL AT THE EDGE OF THE PANEL IS DEFORMED OUT OF PLANE, THE ADJACENT PANEL WILL BE DIFFICULT TO ENGAGE AND WILL NOT SEAM.



**STANDING SEAM ROOF PANEL JOINT**

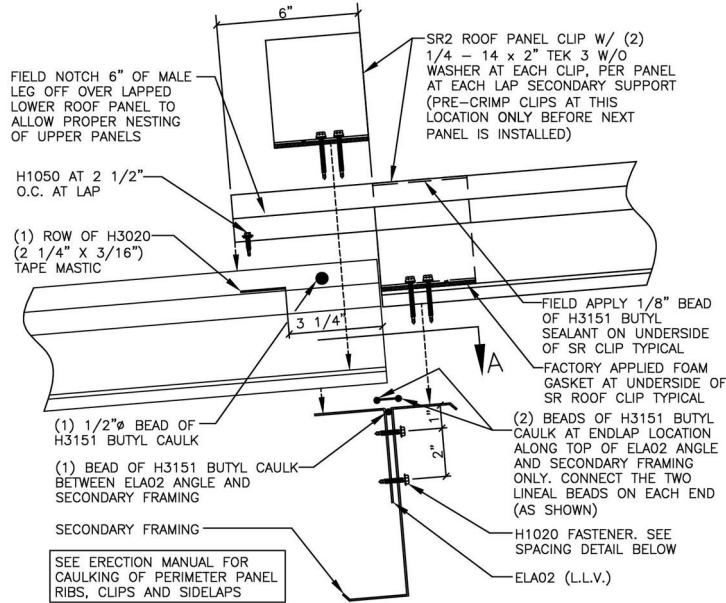
SR2 INSULATED ROOF PANEL

**EA5000**

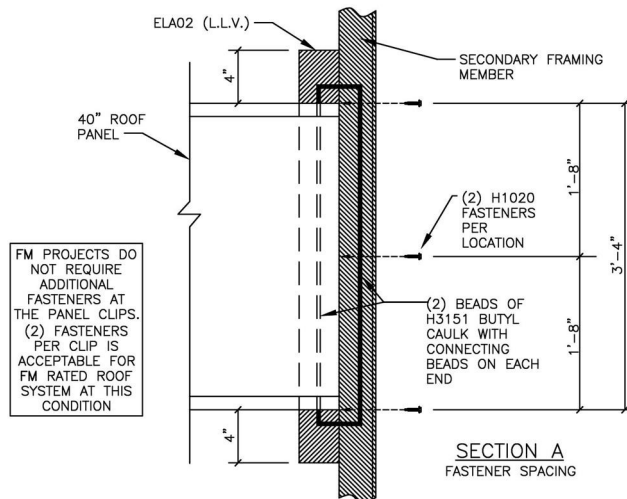


**EA5021 – ROOF END LAP**

NOTE: DO NOT OVER DRIVE FASTENERS. IF THE METAL AT THE EDGE OF THE PANEL IS DEFORMED OUT OF PLANE, THE ADJACENT PANEL WILL BE DIFFICULT TO ENGAGE AND WILL NOT SEAM. AFTER SR CLIPS AT THE PANEL LAP AREA HAVE BEEN INSTALLED IN PLACE OVER MALE LEG OF STANDING SEAM PANEL, PRE-CRIMP USING HAND CRIMPING TOOL SUPPLIED WITH THE INSULATED METAL PANEL ACCESSORIES. IT IS RECOMMENDED TO CRIMP CLIP TO MALE RIB USING CRIMPER SUPPLIED WITH IMP ACCESSORIES BEFORE INSTALLING THE NEXT PANEL.



ERECTOR NOTE: FIELD DRILL/NOTCH LAP ANGLE AT PURLIN LAP BOLTS AND PURLIN BRACING AS REQUIRED



FM PROJECTS DO NOT REQUIRE ADDITIONAL FASTENERS AT THE PANEL CLIPS. (2) FASTENERS PER CLIP IS ACCEPTABLE FOR FM RATED ROOF SYSTEM AT THIS CONDITION

**SR2 INSULATED PANEL ENDLAP**

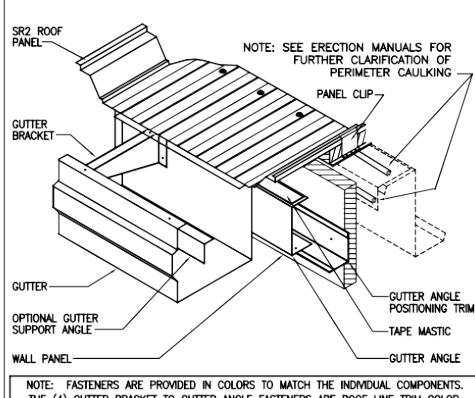
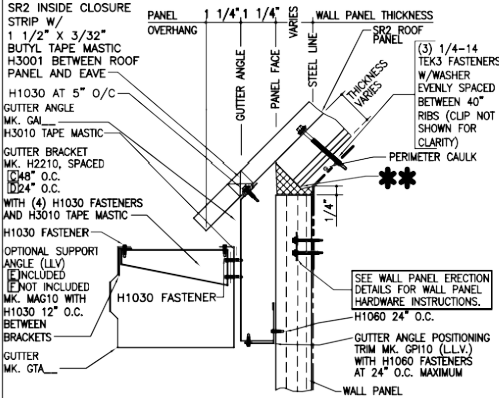
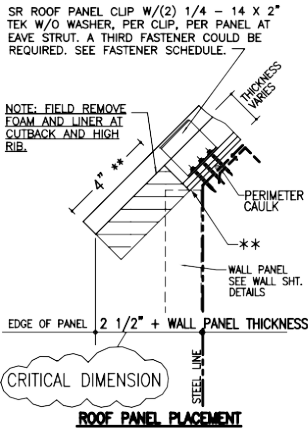
SR2 INSULATED ROOF PANEL

**EA5021**



**LOW EAVE DETAILS**

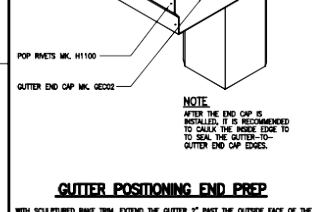
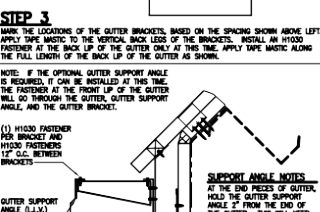
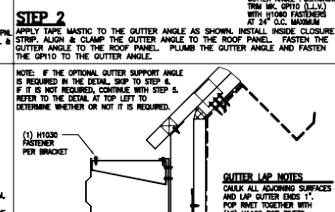
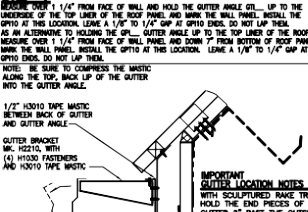
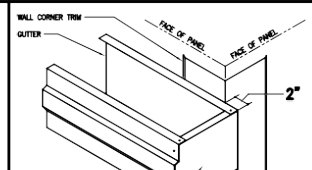
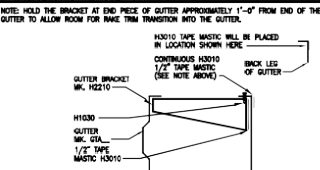
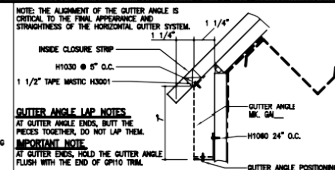
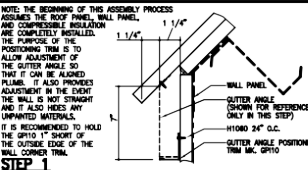
**ED5310 – HORIZONTAL GUTTER WITH SCULPTURED RAKE**



\*\* = PANEL NOTCH WILL NOT LINE UP WITH EAVE LINE. THIS POINT WILL VARY DEPENDING ON THE ROOF SLOPE AND THICKNESS OF PANEL.

**SR2 HORIZONTAL GUTTER**  
INSULATED METAL WALL PANEL AT SCULPTURED RAKE  
PANEL NOTCH WILL NOT LINE UP WITH EAVE LINE. THIS POINT WILL VARY DEPENDING ON THE ROOF SLOPE AND THICKNESS OF PANEL. FIELD FILL GAPS WITH SPRAY-IN PLACE OR BATT INSULATION.

**ISOMETRIC VIEW OF HORIZONTAL GUTTER SYSTEM**  
EAVE ANGLE & EAVE ZEE SHOWN FOR REFERENCE ONLY, ACTUAL EAVE MEMBER MAY VARY



**GUTTER POSITIONING END PREP**

WITH SCULPTURED RAKE TRIM, EXTEND THE GUTTER 2" PAST THE OUTSIDE FACE OF THE WALL CORNER TRIM.

POP INVERTS MK. H1100

GUTTER END CAP MK. GE022

NOTE: AFTER THE END GAP IS INSTALLED, IT IS RECOMMENDED TO CAULK THE INSIDE EDGE TO SEAL THE GUTTER-TO-GUTTER END GAP EDGES.

**GUTTER POSITIONING END PREP**

WITH SCULPTURED RAKE TRIM, EXTEND THE GUTTER 2" PAST THE OUTSIDE FACE OF THE WALL CORNER TRIM.

POP INVERTS MK. H1100

GUTTER END CAP MK. GE022

NOTE: AFTER THE END GAP IS INSTALLED, IT IS RECOMMENDED TO CAULK THE INSIDE EDGE TO SEAL THE GUTTER-TO-GUTTER END GAP EDGES.

**GUTTER POSITIONING END PREP**

WITH SCULPTURED RAKE TRIM, EXTEND THE GUTTER 2" PAST THE OUTSIDE FACE OF THE WALL CORNER TRIM.

POP INVERTS MK. H1100

GUTTER END CAP MK. GE022

NOTE: AFTER THE END GAP IS INSTALLED, IT IS RECOMMENDED TO CAULK THE INSIDE EDGE TO SEAL THE GUTTER-TO-GUTTER END GAP EDGES.

**GUTTER POSITIONING END PREP**

WITH SCULPTURED RAKE TRIM, EXTEND THE GUTTER 2" PAST THE OUTSIDE FACE OF THE WALL CORNER TRIM.

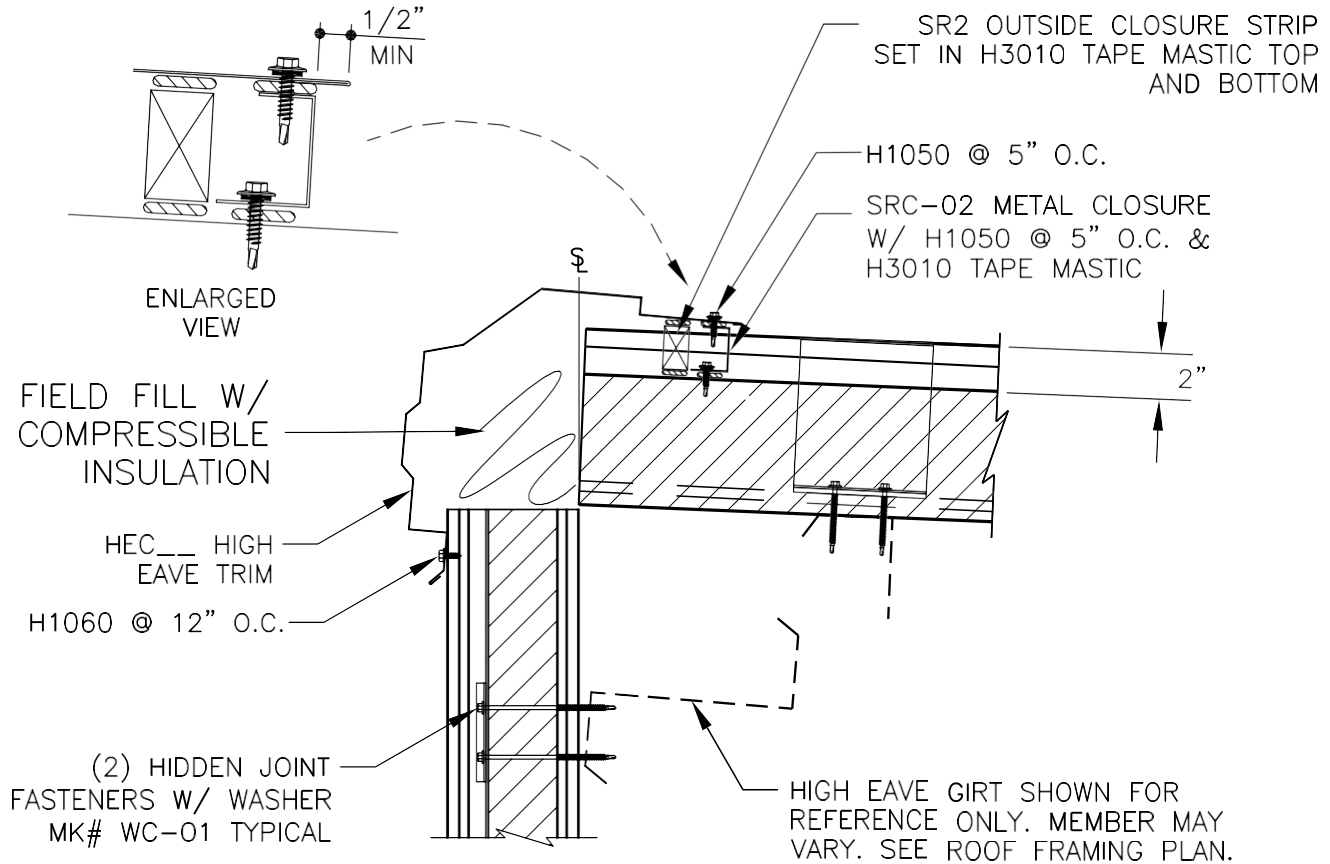
POP INVERTS MK. H1100

GUTTER END CAP MK. GE022

NOTE: AFTER THE END GAP IS INSTALLED, IT IS RECOMMENDED TO CAULK THE INSIDE EDGE TO SEAL THE GUTTER-TO-GUTTER END GAP EDGES.

**HIGH EAVE DETAILS**

**EH5006 – HIGH EAVE WITH WALL PANEL**



PANEL THICKNESS	HIDDEN FASTENER
2"	#14 X 2 SDHH
2 1/2"	#14 X 3 SDHH
3"	#14 X 3 SDHH
4"	#14 X 4 SDHH

NOTE: DO NOT OVER DRIVE FASTENERS. IF THE METAL AT THE EDGE OF THE PANEL IS DEFORMED OUT OF PLANE, THE ADJACENT PANEL WILL BE DIFFICULT TO ENGAGE AND WILL NOT SEAM. AFTER SR CLIP HAS BEEN INSTALLED IN PLACE OVER MALE LEG OF STANDING SEAM PANEL, PRE-CRIMP, USING 1/2" HAND CRIMPING TOOL SUPPLIED.

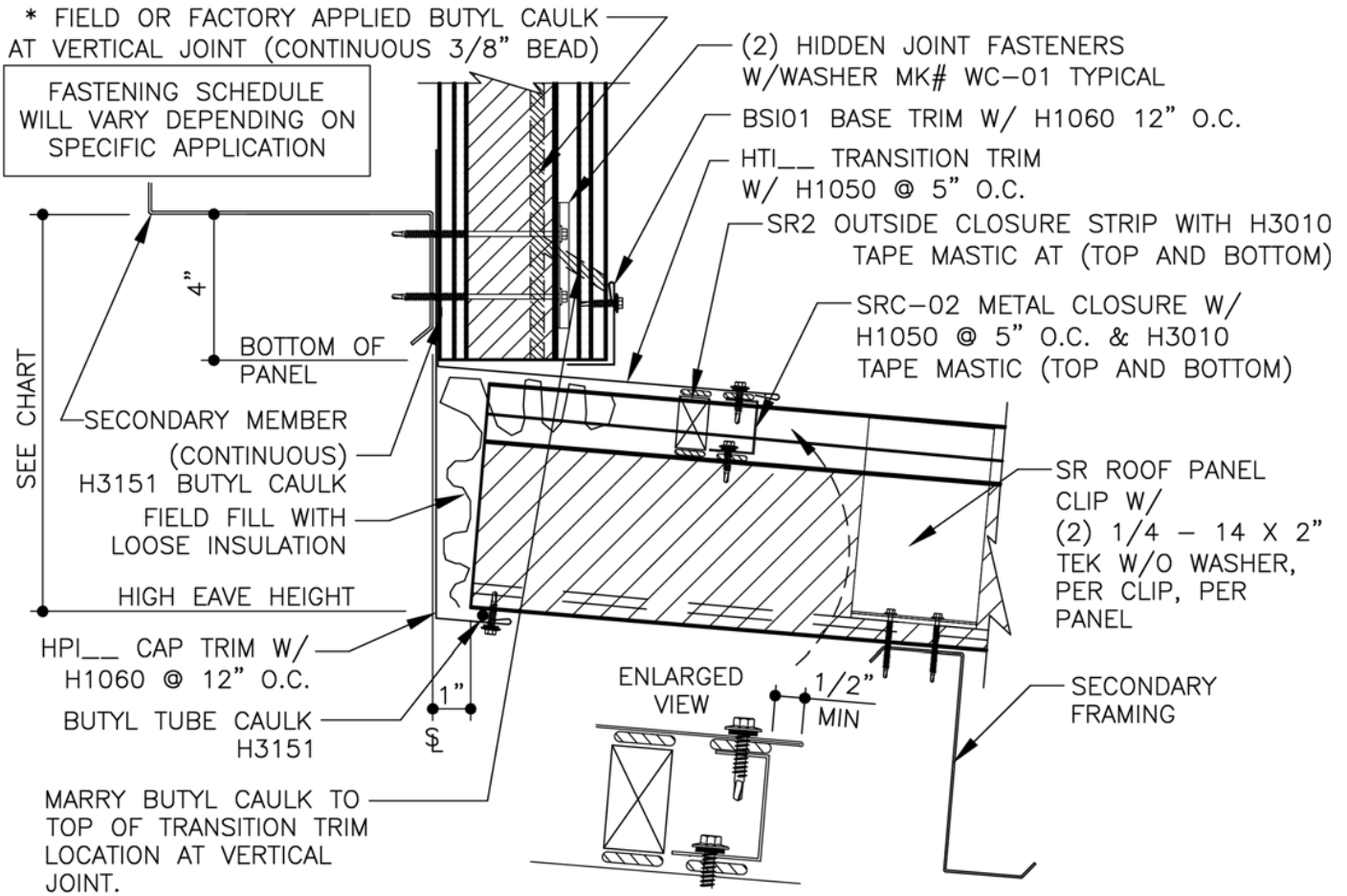
**HIGH SIDE EAVE**

SR2 INSULATED PANEL

SEE INSULATED WALL PANEL ERECTION NOTES FOR ASSEMBLY METHOD

**EH5006**

**EI5010 – HIGH EAVE (PARAPET)**



PANEL THICKNESS	HIDDEN FASTENER
2"	#14 X 2 SDHH
2 1/2"	#14 X 3 SDHH
3"	#14 X 3 SDHH
4"	#14 X 4 SDHH

\* ENSURE CAULK IS CONTINUOUS. IF NO CAULK IS PRESENT OR IF CAULK IS NOT CONTINUOUS, FIELD APPLY CONTINUOUS CAULK MK# H3151

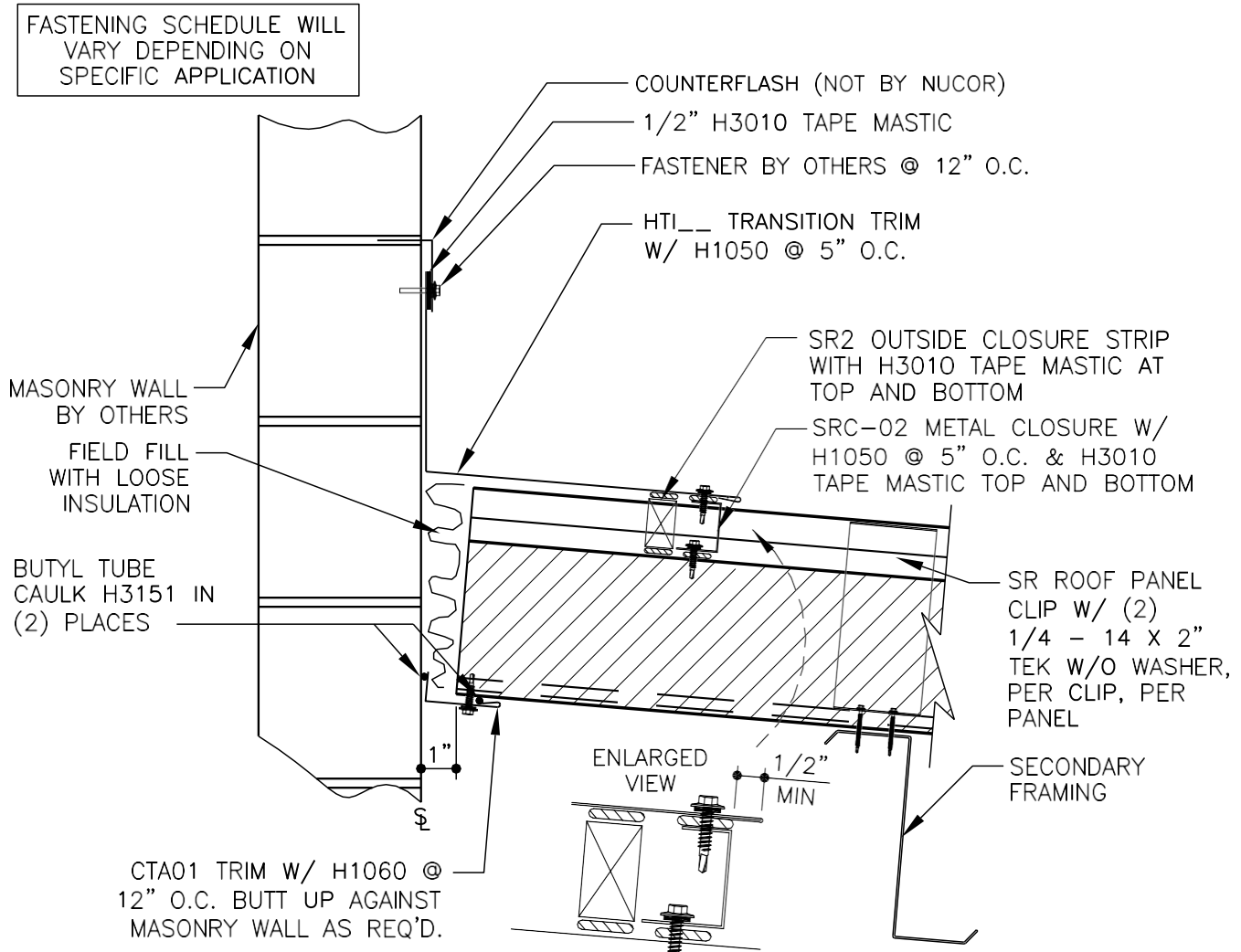
ROOF PANEL THICKNESS	DIM.
3 1/4"	9 1/4"
4"	0'-10"
5"	0'-11"
6"	1'-0"

**HIGH EAVE PARAPET DETAIL**

SR2 INSULATED PANEL

**EI5010**

**EI5030 – HIGH EAVE (PARAPET) AT MASONRY OR CONCRETE**



**HIGH EAVE PARAPET DETAIL**

SR2 INSULATED PANEL AT MASONRY WALL

**EI5030**

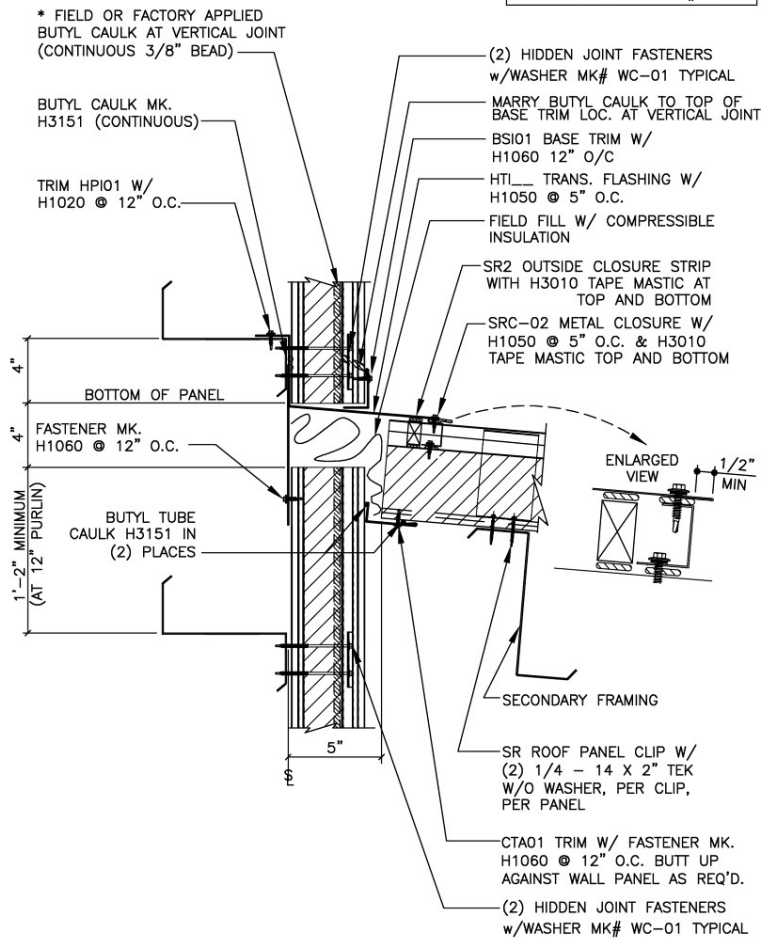


**EI5050 – HIGH EAVE (PARAPET) PANEL ABOVE AND BELOW**

PANEL THICKNESS	HIDDEN FASTENER
2"	#14 X 2 SDHH
2 1/2"	#14 X 3 SDHH
3"	#14 X 3 SDHH
4"	#14 X 4 SDHH

FASTENING SCHEDULE  
WILL VARY DEPENDING ON  
SPECIFIC APPLICATION

\* ENSURE CAULK IS  
CONTINUOUS. IF NO CAULK IS  
PRESENT OR IF CAULK IS NOT  
CONTINUOUS, FIELD APPLY  
CONTINUOUS CAULK MK# H3151

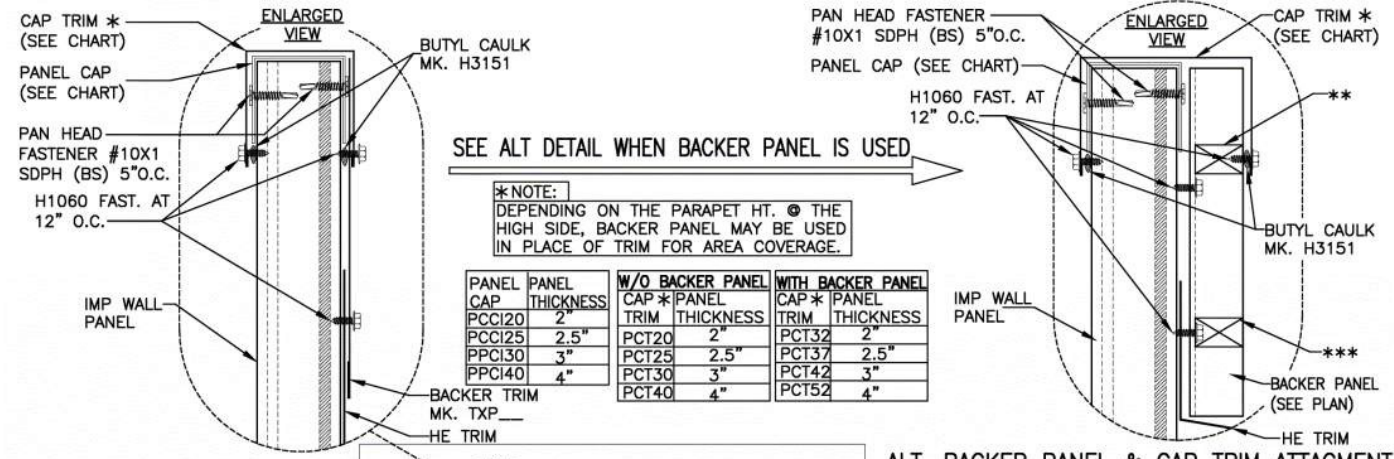


**HIGH EAVE PARAPET DETAIL  
WALL PANEL ABOVE AND BELOW**

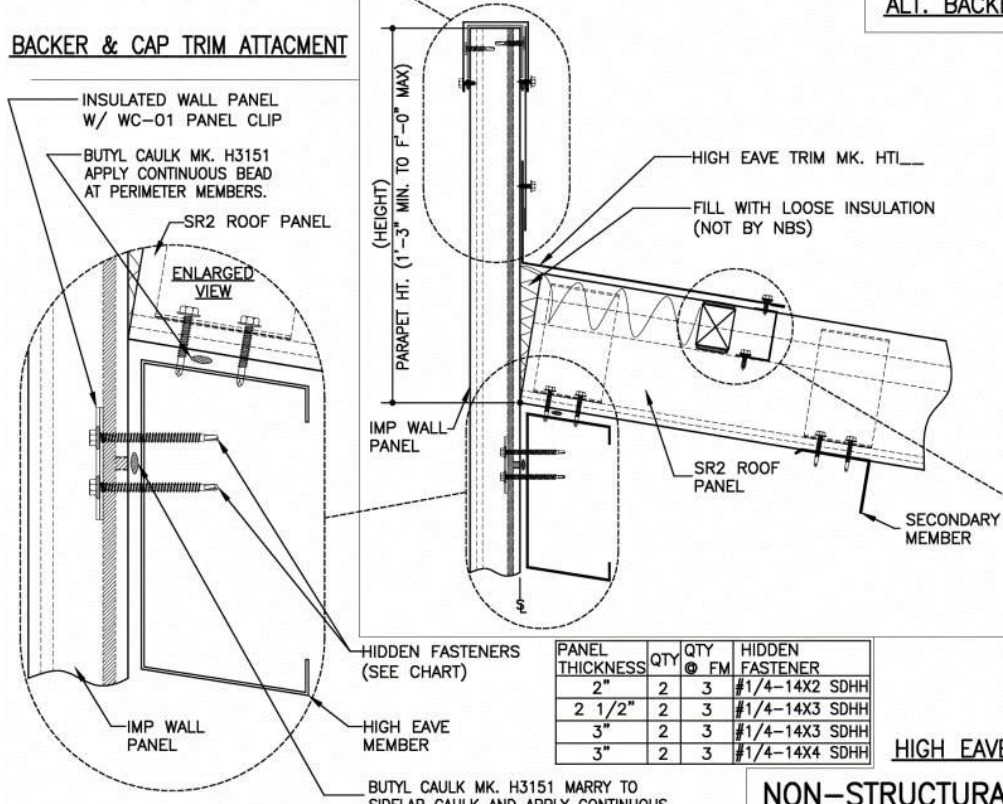
SR2 INSULATED PANEL

**EI5050**

**EI5070 – HIGH EAVE (PARAPET) NON-STRUCTURAL**



**BACKER & CAP TRIM ATTACHMENT**

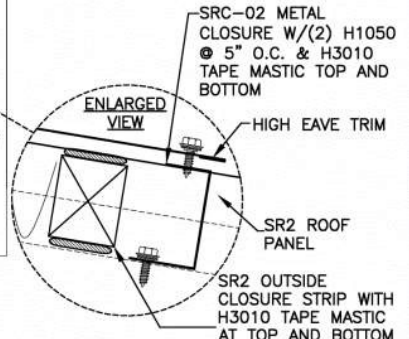


**HIGH EAVE ANGLE CONNECTION**

**ALT. BACKER PANEL & CAP TRIM ATTACHMENT**

** CLOSURE (OUTSIDE)	*** CLOSURE (INSIDE)	PANEL TYPE:
H3400	H3410	CLASSIC
H3410	H3400	REVERSE CLASSIC
H3420	H3430	ACCENT

USE 3/4" TAPE MASTIC MK. H3000 AT TOP & BOTTOM



**HIGH EAVE TRIM & CLOSURE ATTACHMENT**

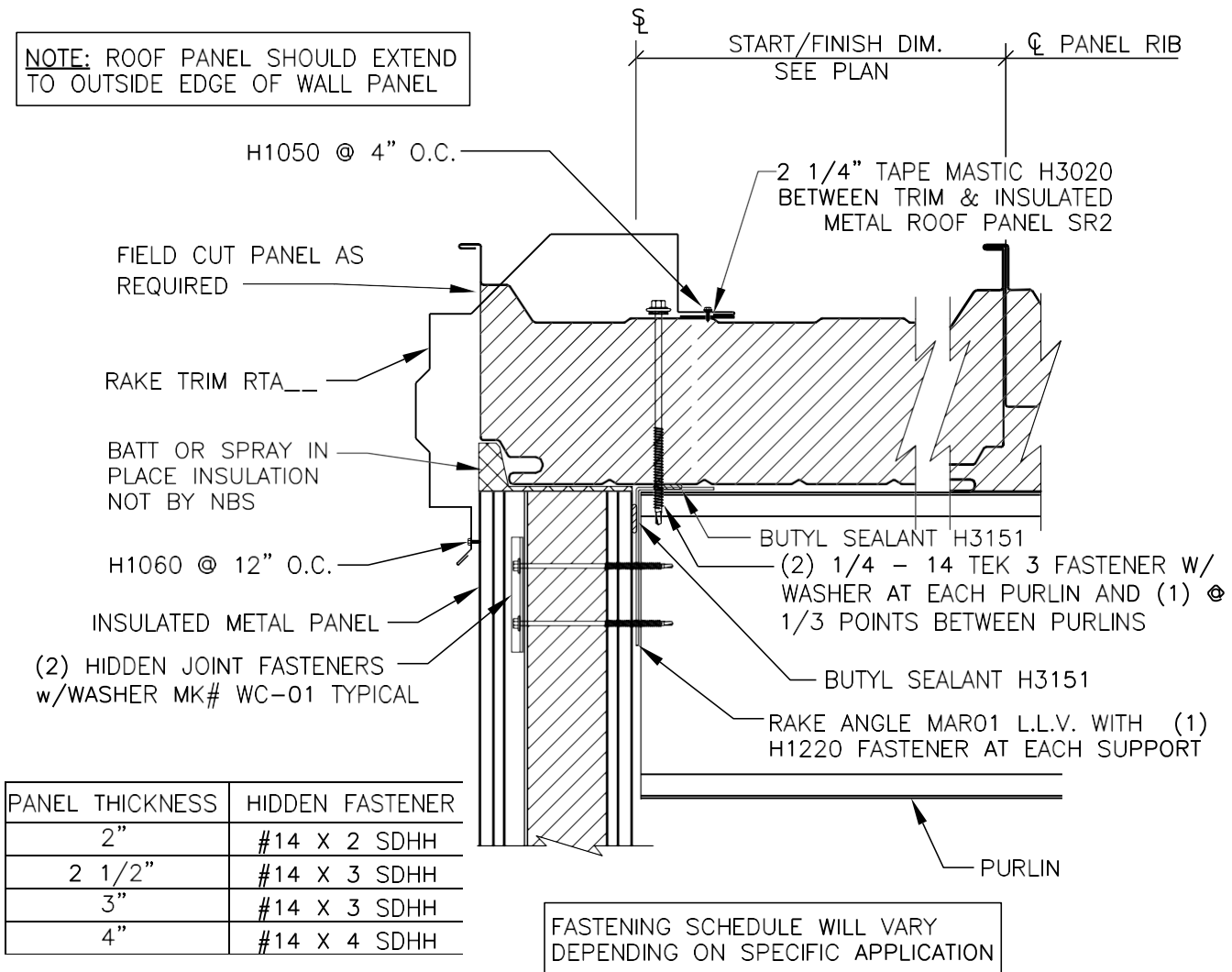
**NON-STRUCTURAL HE PARAPET DETAIL**

\*SR2\* ROOF  
SEE INSULATED WALL SHEETING DETAILS FOR ASSEMBLY METHOD

**EI5070**

**RAKE DETAILS**  
**EE5010 – RAKE (SCULPTURED)**

NOTE: ROOF PANEL SHOULD EXTEND TO OUTSIDE EDGE OF WALL PANEL



**SCULPTURED RAKE DETAIL**

INSULATED METAL PANEL  
SEE INSULATED WALL SHEETING DETAILS FOR ASSEMBLY METHOD

**EE5010**



**EF5010 – RAKE (PARAPET) WALL PANEL ABOVE**

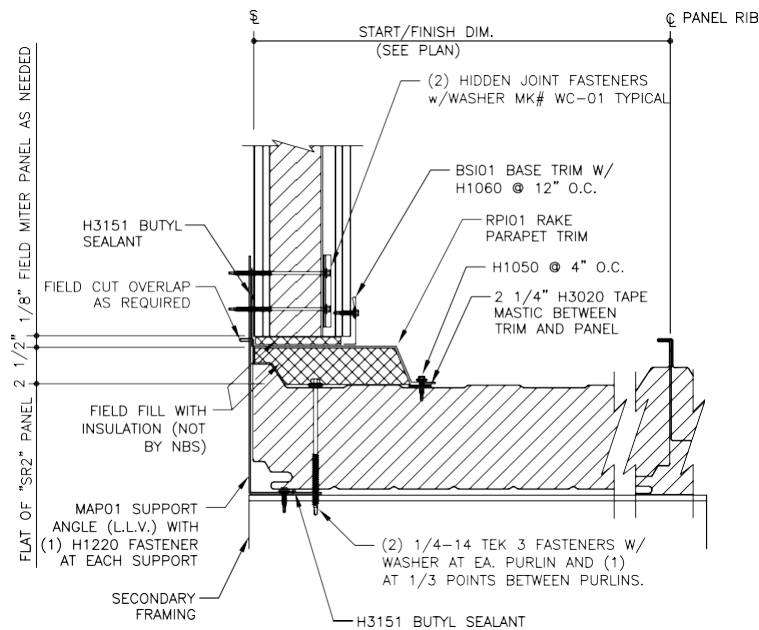
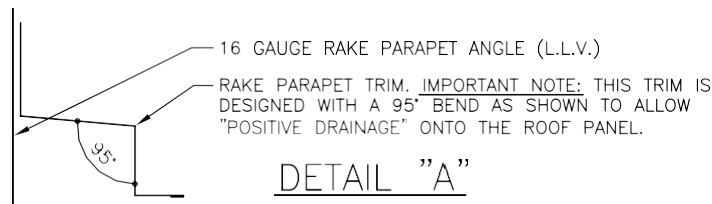
**NOTES:**

ALWAYS BEGIN THE RAKE PARAPET TRIM INSTALLATION STARTING AT THE LOW EAVE AND WORK TOWARD THE HIGH EAVE OR RIDGE.

THE RAKE PARAPET TRIM IS DESIGNED TO HAVE "POSITIVE DRAINAGE" ONTO THE ROOF. THIS IS TO HELP ALLEVIATE THE POSSIBILITY OF WATER PONDING ON THE TRIM. SEE DETAIL "A" BELOW.

FASTEN THE RAKE PARAPET TRIM TO THE ROOF PANEL AT 4" ON CENTER,

REFER TO THE SR2 ERECTION MANUAL FOR ADDITIONAL TRIM LAP INFORMATION AND DETAILS.



PANEL THICKNESS	HIDDEN FASTENER
2"	# 4 X 2 SDHH
2 1/2"	# 4 X 3 SDHH
3"	# 4 X 3 SDHH
4"	# 4 X 4 SDHH

FASTENING SCHEDULE WILL VARY DEPENDING ON SPECIFIC APPLICATION

**RAKE PARAPET DETAIL**

SR2 ROOF PANEL  
SEE INSULATED WALL PANEL SHEETING ERECTION NOTES

**EF5010**

**EF5030 – RAKE (PARAPET) AT MASONRY OR CONCRETE**

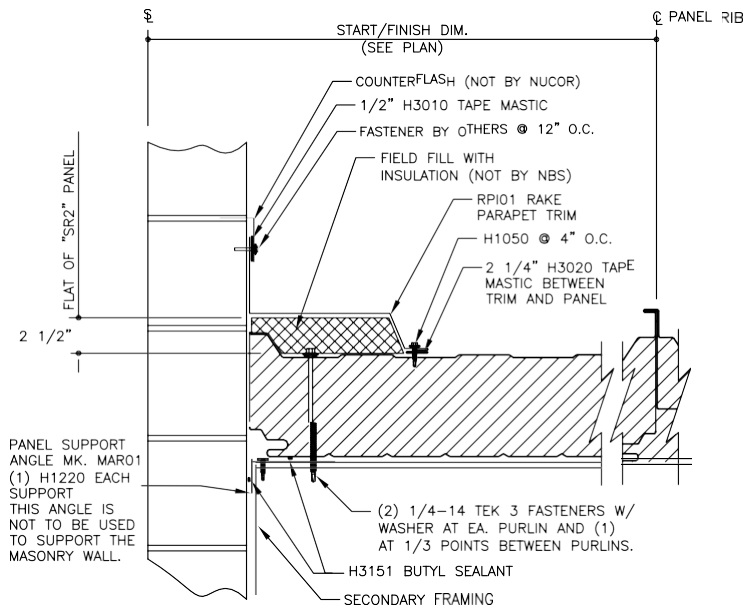
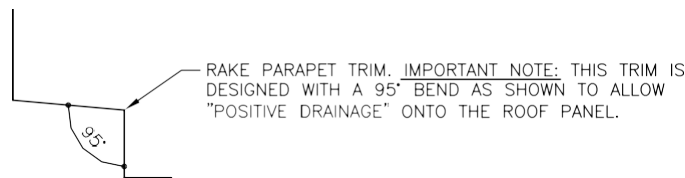
NOTES:

ALWAYS BEGIN THE RAKE PARAPET TRIM INSTALLATION STARTING AT THE LOW EAVE AND WORK TOWARD THE HIGH EAVE OR RIDGE.

THE RAKE PARAPET TRIM IS DESIGNED TO HAVE "POSITIVE DRAINAGE" ONTO THE ROOF. THIS IS TO HELP ALLEVIATE THE POSSIBILITY OF WATER PONDING ON THE TRIM. SEE DETAIL "A" BELOW.

FASTEN THE RAKE PARAPET TRIM TO THE ROOF PANEL AT 4" ON CENTER,

REFER TO THE SR2 ERECTION MANUAL FOR ADDITIONAL TRIM LAP INFORMATION AND DETAILS.



PANEL THICKNESS	HIDDEN FASTENER
2"	# 4 X 2 SDHH
2 1/2"	# 4 X 3 SDHH
3"	# 4 X 3 SDHH
4"	# 4 X 4 SDHH

FASTENING SCHEDULE WILL VARY DEPENDING ON SPECIFIC APPLICATION

**RAKE PARAPET DETAIL**

SR2 ROOF PANEL AT MASONRY WALL  
SEE INSULATED WALL PANEL SHEETING ERECTION NOTES

**EF5030**

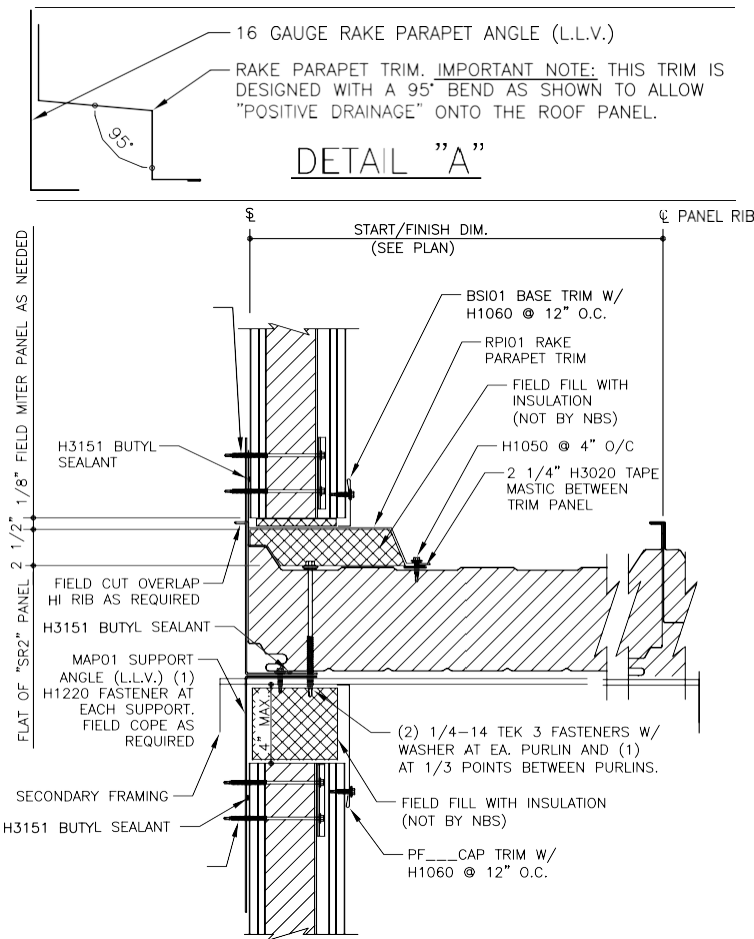
**EF5050 – RAKE (PARAPET) RAFTER IN HIGH BUILDING**

**NOTES:**

ALWAYS BEGIN THE RAKE PARAPET TRIM INSTALLATION STARTING AT THE LOW EAVE AND WORK TOWARD THE HIGH EAVE OR RIDGE.

THE RAKE PARAPET TRIM IS DESIGNED TO HAVE "POSITIVE DRAINAGE" ONTO THE ROOF. THIS IS TO HELP ALLEVIATE THE POSSIBILITY OF WATER PONDING ON THE TRIM. SEE DETAIL "A" BELOW.

FASTEN THE RAKE PARAPET TRIM TO THE ROOF PANEL AT 4" ON CENTER, REFER TO THE SR2 ERECTION MANUAL FOR ADDITIONAL TRIM LAP INFORMATION AND DETAILS.



PANEL THICKNESS	HIDDEN FASTENER
2"	#14 X 2 SDHH
2 1/2"	#14 X 3 SDHH
3"	#14 X 3 SDHH
4"	#14 X 4 SDHH

FASTENING SCHEDULE WILL VARY DEPENDING ON SPECIFIC APPLICATION

**RAKE PARAPET DETAIL**

SR2 ROOF PANEL  
SEE INSULATED WALL PANEL SHEETING ERECTION NOTES

**EF5050**

**EF5060 – RAKE (PARAPET) RAFTER IN LOW BUILDING**

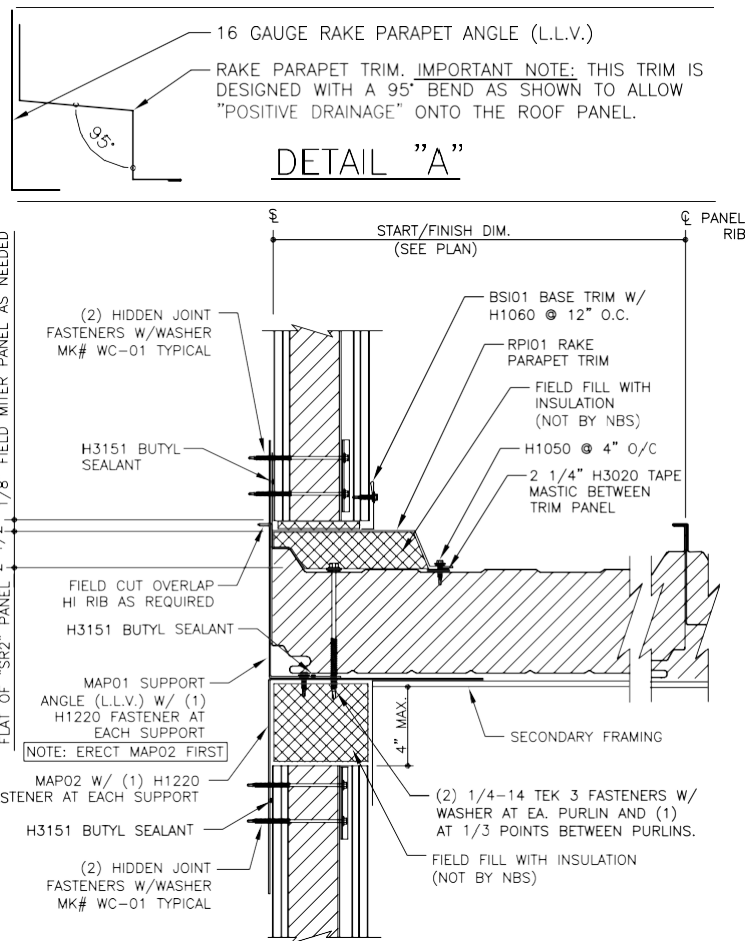
**NOTES:**

ALWAYS BEGIN THE RAKE PARAPET TRIM INSTALLATION STARTING AT THE LOW EAVE AND WORK TOWARD THE HIGH EAVE OR RIDGE.

THE RAKE PARAPET TRIM IS DESIGNED TO HAVE "POSITIVE DRAINAGE" ONTO THE ROOF. THIS IS TO HELP ALLEVIATE THE POSSIBILITY OF WATER PONDING ON THE TRIM. SEE DETAIL "A" BELOW.

FASTEN THE RAKE PARAPET TRIM TO THE ROOF PANEL AT 4" ON CENTER,

REFER TO THE SR2 ERECTION MANUAL FOR ADDITIONAL TRIM LAP INFORMATION AND DETAILS.



PANEL THICKNESS	HIDDEN FASTENER
2"	# 4 X 2 SDHH
2 1/2"	# 4 X 3 SDHH
3"	# 4 X 3 SDHH
4"	# 4 X 4 SDHH

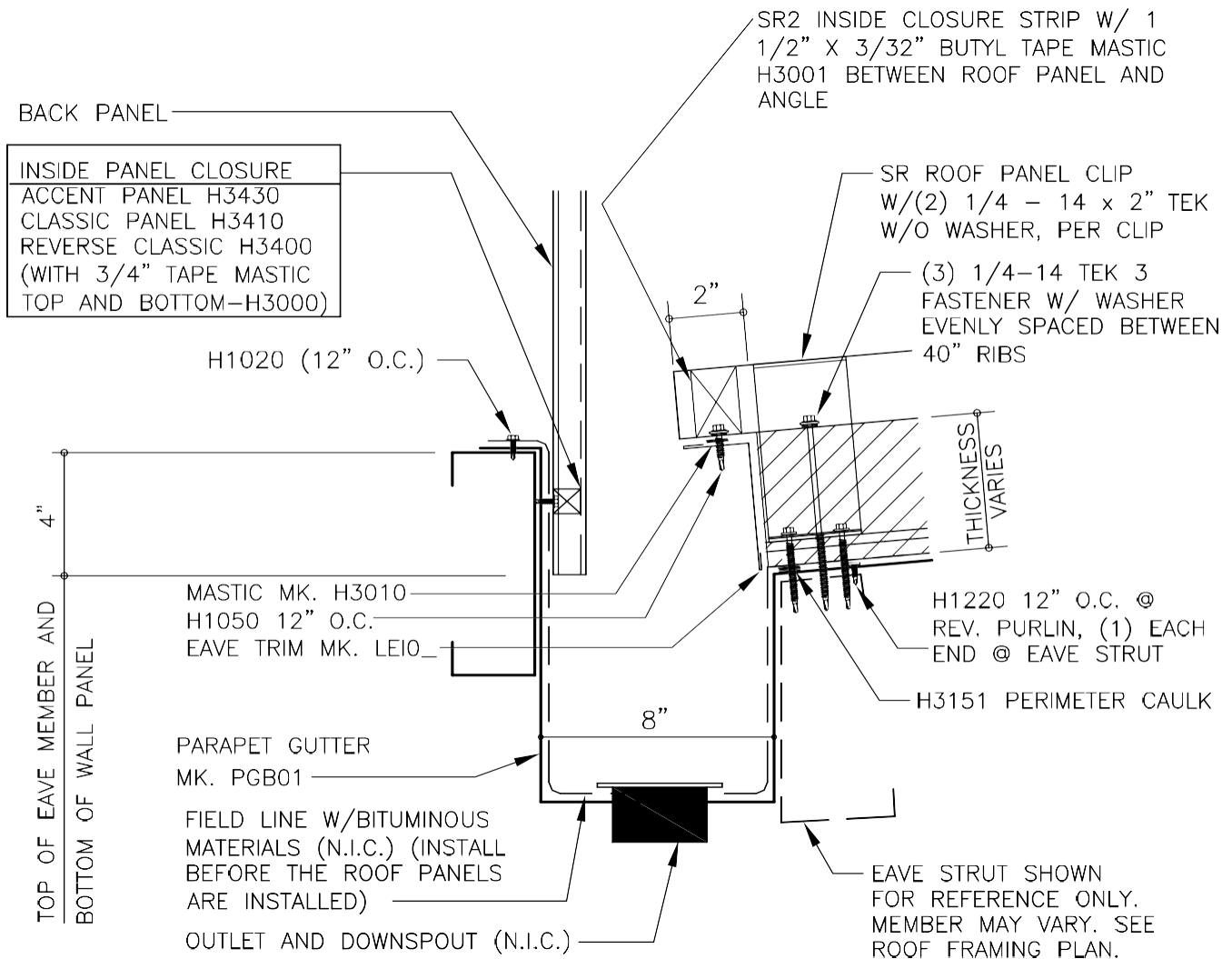
FASTENING SCHEDULE WILL VARY DEPENDING ON SPECIFIC APPLICATION

**RAKE PARAPET DETAIL**

RAFTER IN HIGH BUILDING, SR2 ROOF PANEL  
SEE INSULATED WALL PANEL SHEETING ERECTION NOTES

**EF5060**

**PARAPET GUTTER DETAILS**  
**EK5020 – PARAPET GUTTER – EAVE STRUT**

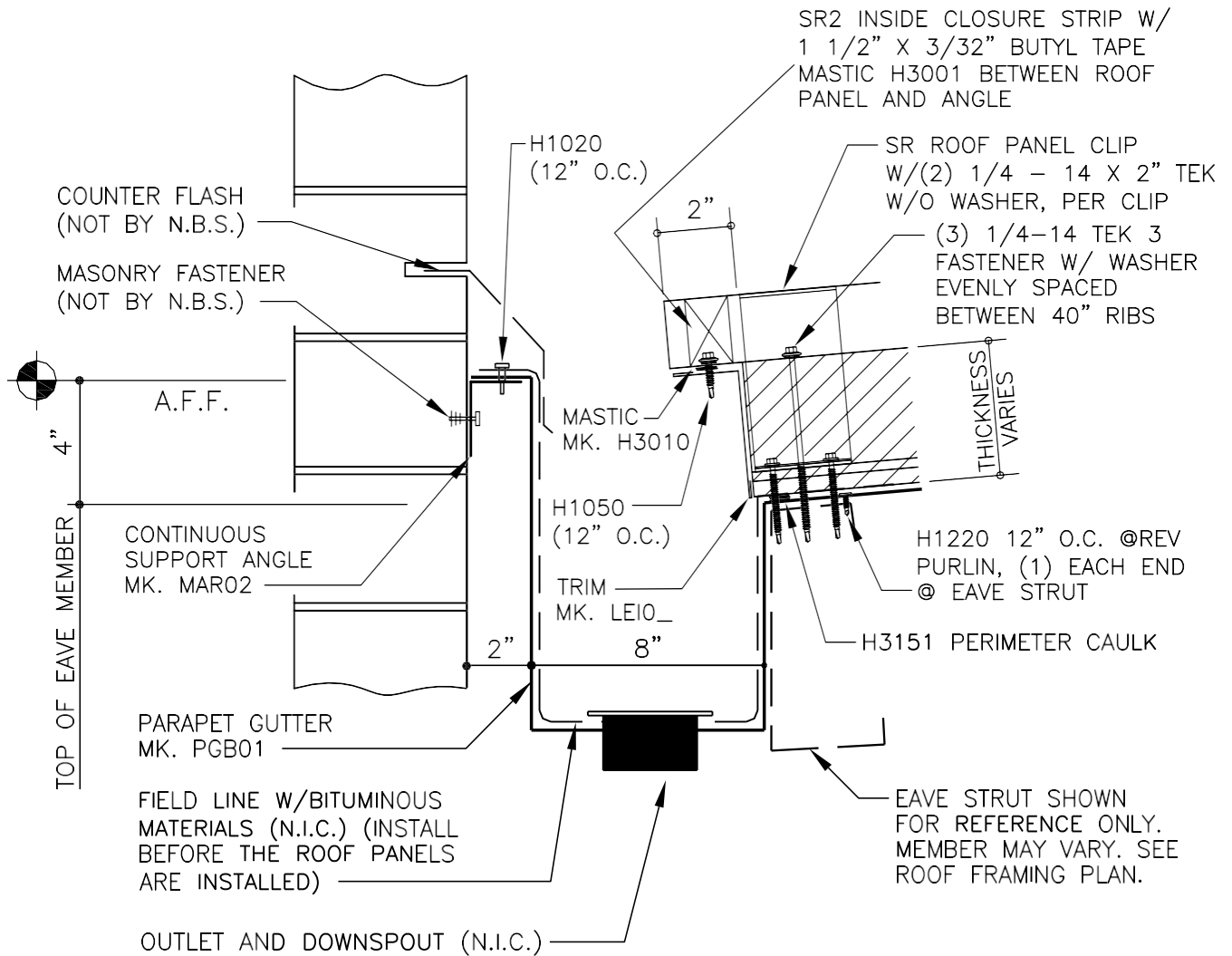


**PARAPET GUTTER DETAIL**

"SR2" ROOF  
SEE WALL SHEETING ERECTION NOTES FOR WALL PANEL FASTENER LOCATIONS

**EK5020**

**EK5040 – PARAPET GUTTER @ MASONRY OR CONCRETE – EAVE STRUT**



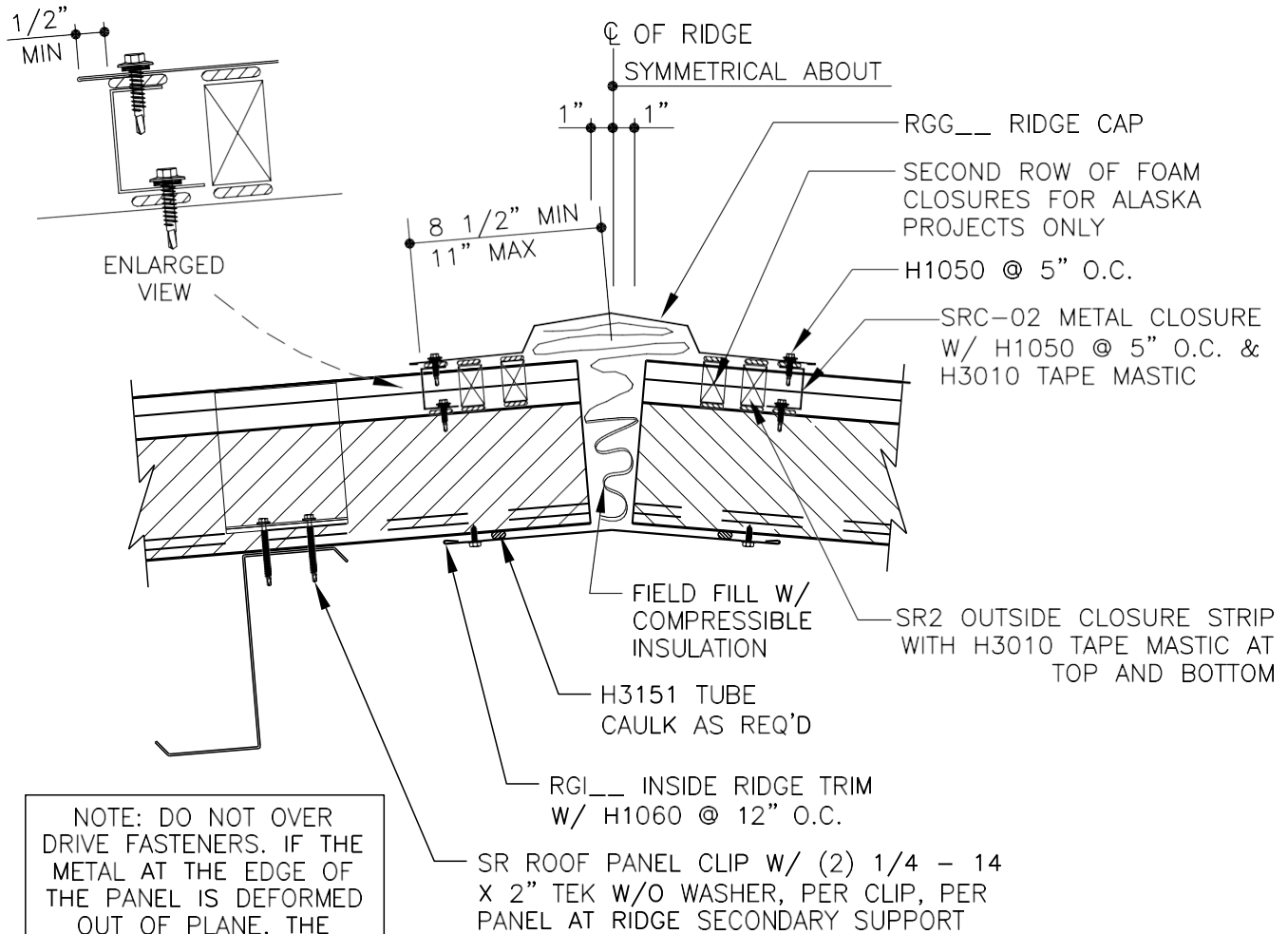
**PARAPET GUTTER DETAIL**

"SR2" ROOF

SEE WALL SHEETING ERECTION NOTES FOR WALL PANEL FASTENER LOCACTIONS

**EK5040**

**RIDGE DETAILS**  
**EG5010 – RIDGE CONDITION**



NOTE: DO NOT OVER DRIVE FASTENERS. IF THE METAL AT THE EDGE OF THE PANEL IS DEFORMED OUT OF PLANE, THE ADJACENT PANEL WILL BE DIFFICULT TO ENGAGE AND WILL NOT SEAM. AFTER SR CLIP HAS BEEN INSTALLED IN PLACE OVER MALE LEG OF STANDING SEAM PANEL, PRE-CRIMP, USING 1/2" HAND CRIMPING TOOL SUPPLIED.

**RIDGE DETAIL**  
SR2 INSULATED PANEL

**EG5010**